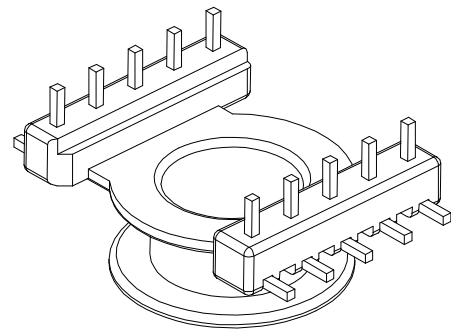
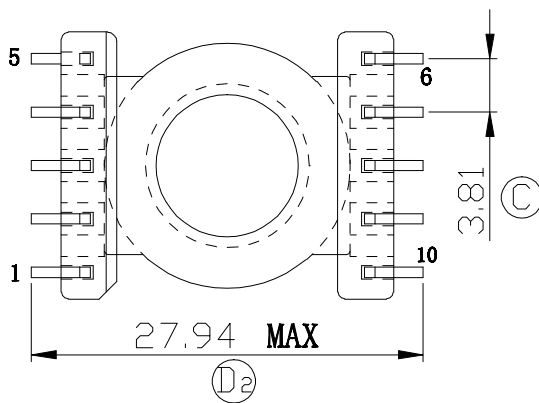
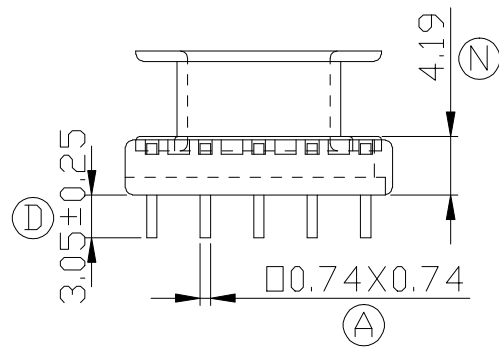
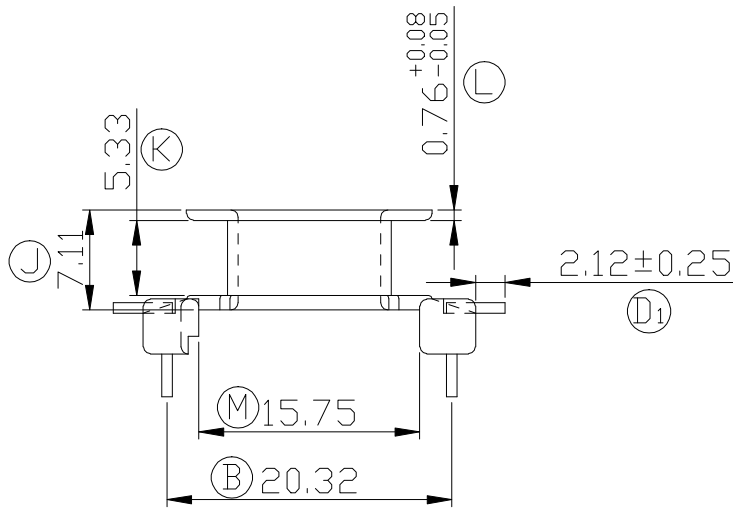
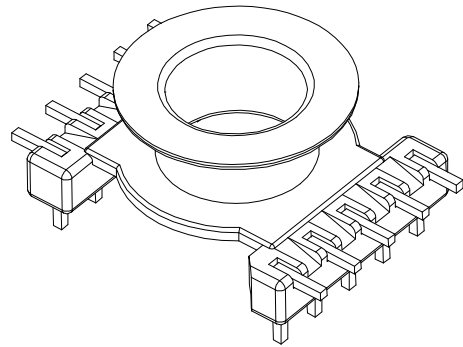
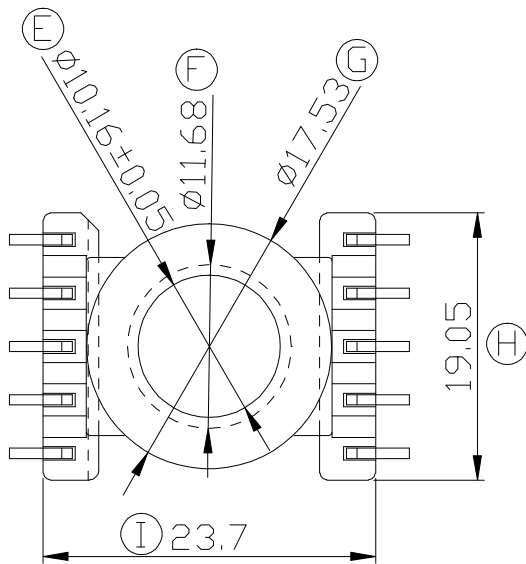



Build up your trust



TITLE:	TT23*11 10PIN	TOLERANCES		BOBBIN MATERIAL:	UL REC.
DRAWING NO:	GS-2301 (070-2620)	0<L≤4 ±0.1	PIN PITCH ±0.2	PLASTIC FR530	UL 94V-0
 建信電子制品有限公司 GEMSTONE ELECTRONIC PRODUCTS CO., LTD.		4<L≤16 ±0.2		PIN MATERIAL:	PIN TENSION LOAD:
		16<L≤63 ±0.3		PHOSPHOR BRONZE	1.5KG MIN
ADD: 廣東省東莞市石排鎮石崇大道 TEL: (0769) 86514918, 86514919 FAX: 86514878		UNIT:	SCALE:	ANGLE:	DATE:
		MM	2/1	±1°	2006/10/12
		DRAWN:		CHECK:	REV:
		HZ PING		XU ZHAN	A1
		DRAWN:		CHECK:	APPROVED:

REV.	PORTION.	BEFORE REV.	AFTER REV.