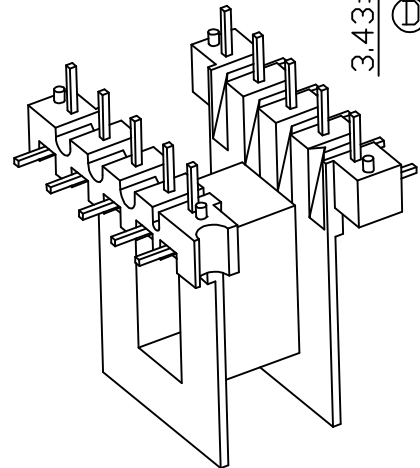
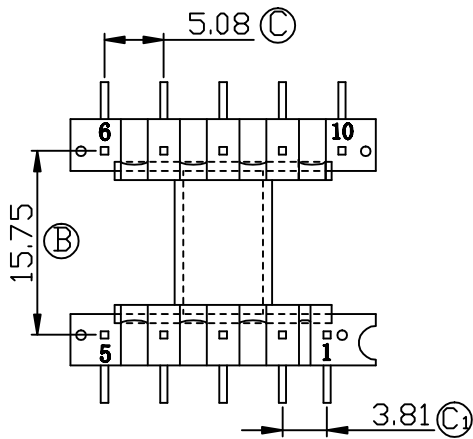
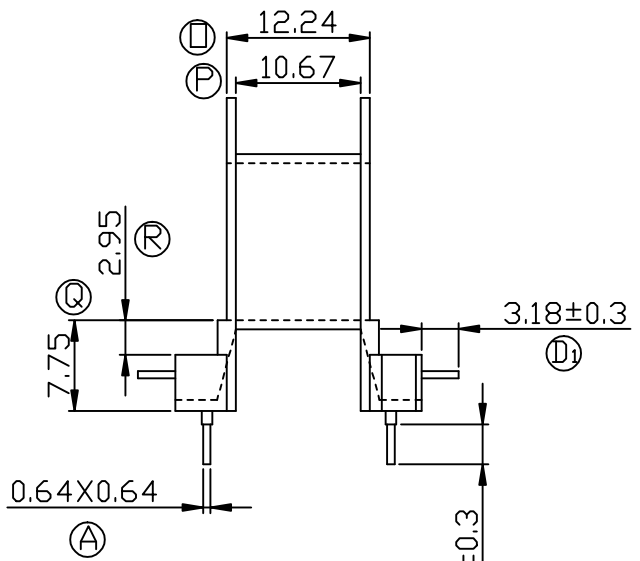
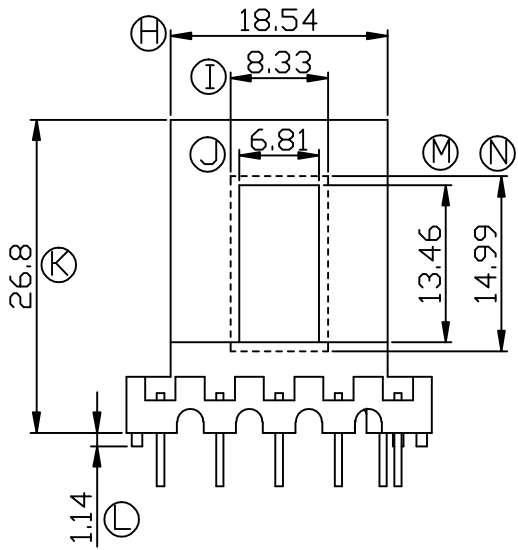
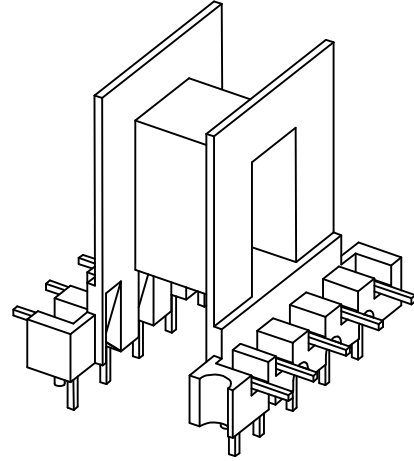
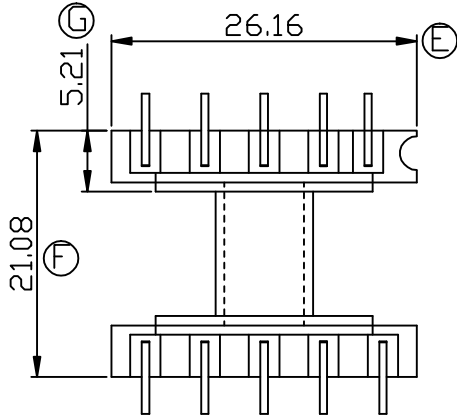



Build up your trust



TITLE: EE-24 10PIN		TOLERANCES		BOBBIN MATERIAL:		UL REC.	
DRAWING NO: GS-2402		0<L≤4 ±0.1	PIN PITCH ±0.2	Nylon 6/6 30% Glass Filled		UL 94HB	
 建信電子制品有限公司 GEMSTONE ELECTRONIC PRODUCTS CO., LTD. ADD: 廣東省東莞市石排鎮石崇大道 TEL: (0769)86514918, 86514919 FAX:86514878		4<L≤16 ±0.2		PIN MATERIAL:		PIN TENSION LOAD:	
		16<L≤63 ±0.3		CP WIRE		1.2KG MIN	
UNIT: MM		SCALE: 1.5/1	ANGLE: ±1°	DATE: 2005/12/05		REV: A0	
DRAWN: HZ PING		CHECK: XU ZHAN		APPROVED:			

REV.	PORTION.	BEFORE REV.	AFTER REV.