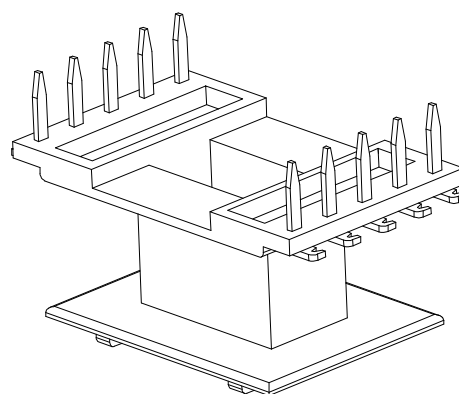
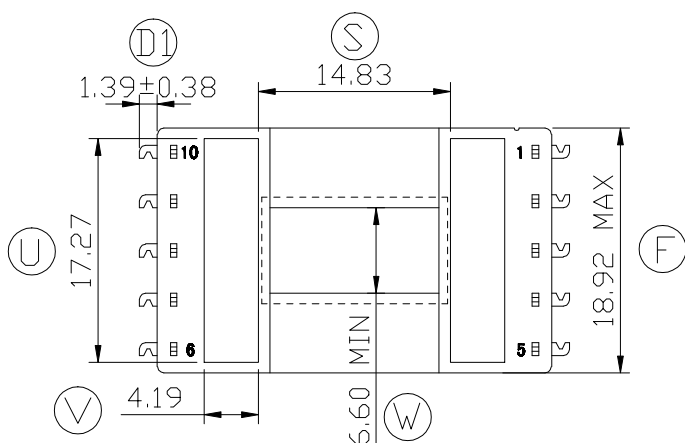
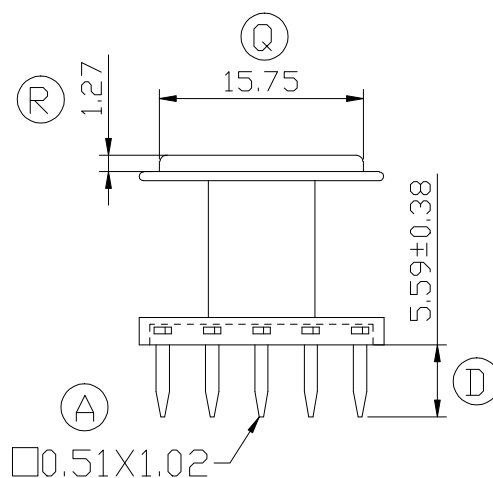
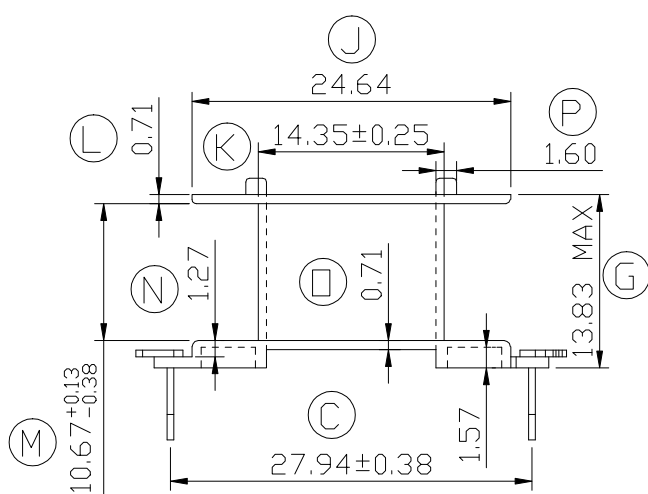
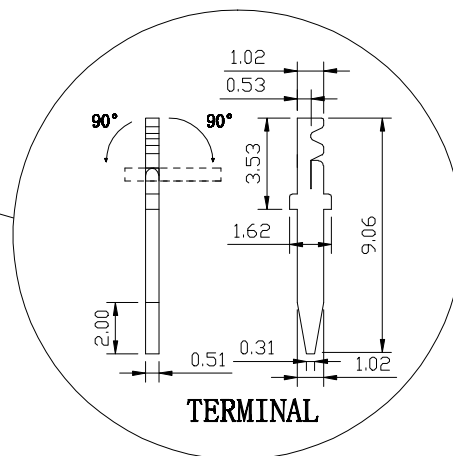
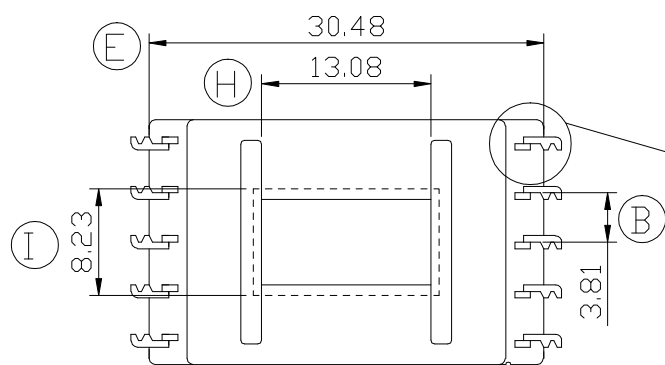



Build up your trust



TITLE: BOBBIN EI24		TOLERANCES		BOBBIN MATERIAL: PA66 70G33L (NC)		UL REC. UL94V-HB	
DRAWING NO: GS-2404		±0.13	PIN PITCH ±0.2	PIN MATERIAL: PHOSPHOR BRONZE		PIN TENSION LOAD: 1.5KG MIN	
 建信電子制品有限公司 GEMSTONE ELECTRONIC PRODUCTS CO., LTD. ADD: 廣東省東莞市石排鎮石崇大道 TEL: (0769) 86514918, 86514919 FAX: 86514878		UNIT: MM	SCALE: 1/1	ANGLE: ±1°	DATE: 2009/03/30	REV: A0	
		DRAWED: XU ZHAN		CHECK: XU ZHAN		APPROVED:	

REV.	PORTION.	BEFORE REV.	AFTER REV.