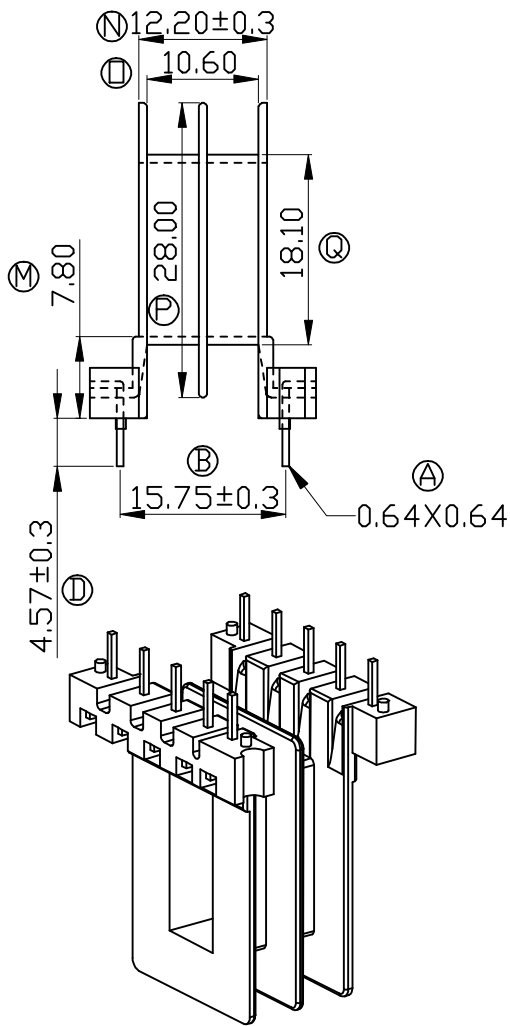
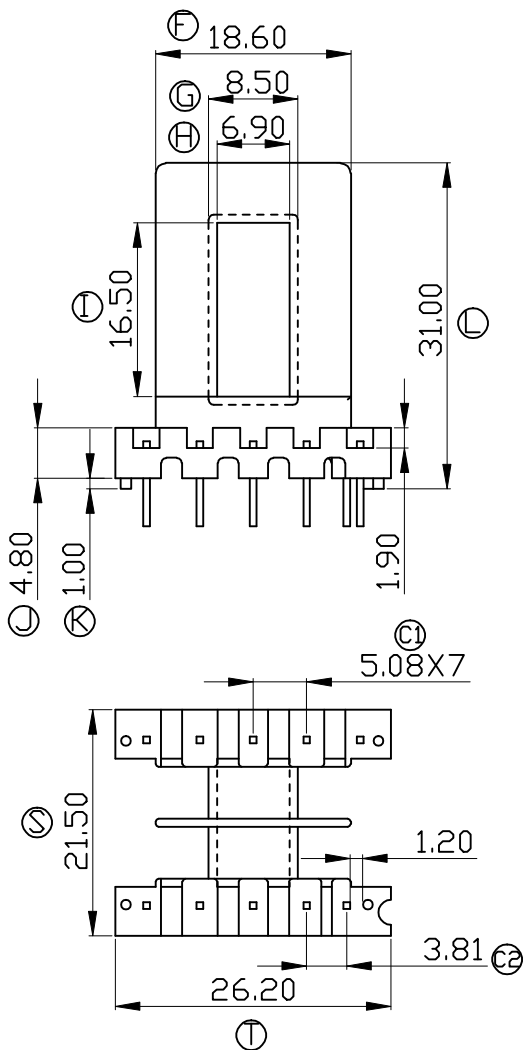
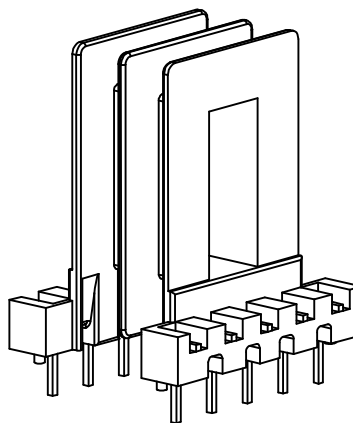
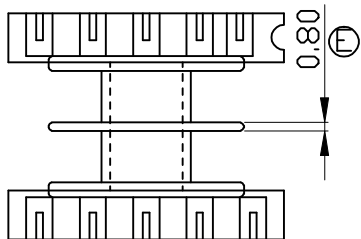


Build up your trust



TITLE: BOBBIN EE-24/25 (10PIN)

DRAWING NO: GS-2407

TOLERANCES

0<L≦4 ±0.1
4<L≦16 ±0.2
16<L≦63 ±0.3

PIN PITCH
±0.2

BOBBIN MATERIAL:
PA66 70G33L

UL REC.
UL 94HB

PIN MATERIAL:
CP WIRE

PIN TENSION LOAD:
1.2KG MIN



建信電子制品有限公司

GEMSTONE ELECTRONIC PRODUCTS CO., LTD.

ADD: 廣東省東莞市石排鎮石崇大道

TEL: (0769)86514918, 86514919 FAX:86514878

UNIT:
MM

SCALE:
1.5/1

ANGLE:
±1°

DATE:
2007/2/26

REV:
A1

DRAWN:
Wang Ren Jun

CHECK:
XU ZHAN

APPROVED:

REV.	PORTION.	BEFORE REV.	AFTER REV.