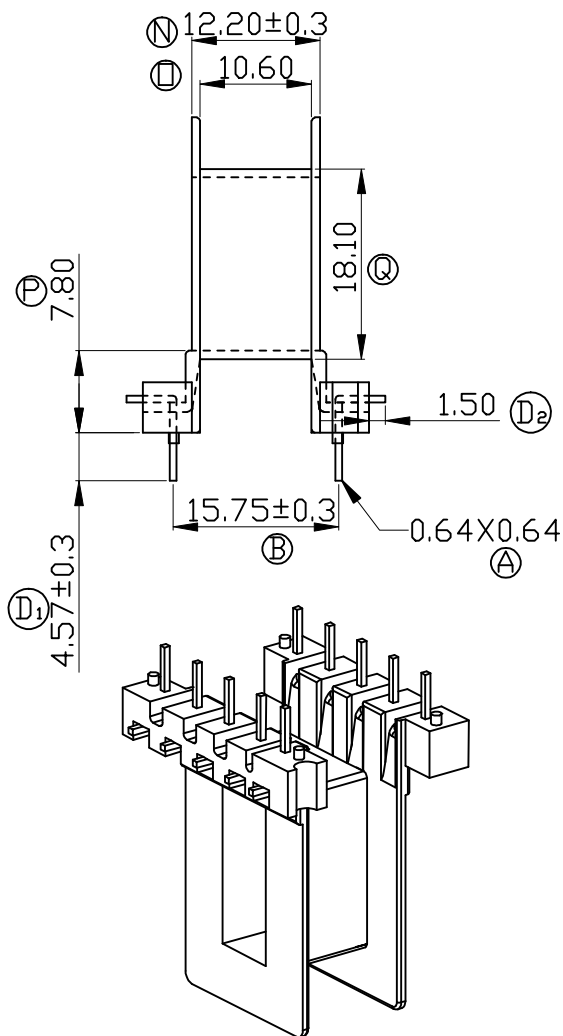
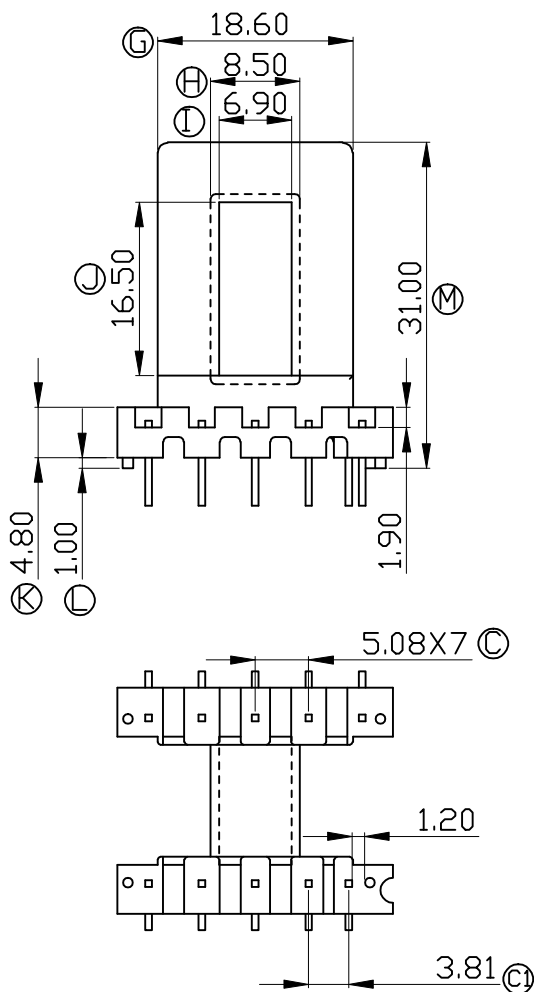
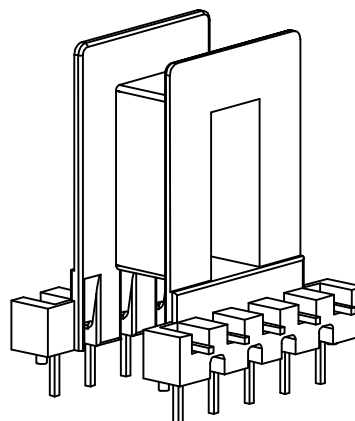
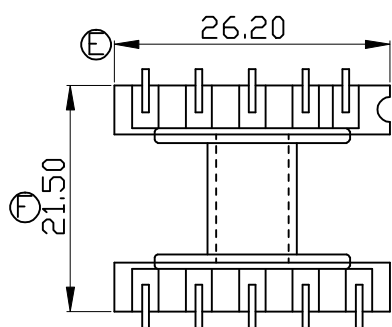


Build up your trust



TITLE: BOBBIN EE-24/25 (10PIN)

DRAWING NO: GS-2407-1

TOLERANCES

0<L≤4 ±0.1
4<L≤16 ±0.2
16<L≤63 ±0.3

PIN PITCH
±0.2

BOBBIN MATERIAL:

PET FR530 (NC)

UL REC.

UL 94HB

PIN MATERIAL:

CP WIRE

PIN TENSION LOAD:

1.2KG MIN



建信電子制品有限公司

GEMSTONE ELECTRONIC PRODUCTS CO., LTD.

ADD: 廣東省東莞市石排鎮石崇大道

TEL: (0769)86514918, 86514919 FAX:86514878

UNIT:
MM

SCALE:
1.5/1

ANGLE:
±1°

DATE:
2008/3/4

REV:
A1

DRAWN:
XU ZHAN

CHECK:
XU ZHAN

APPROVED:

REV.

PORTION

BEFORE REV.

AFTER REV.