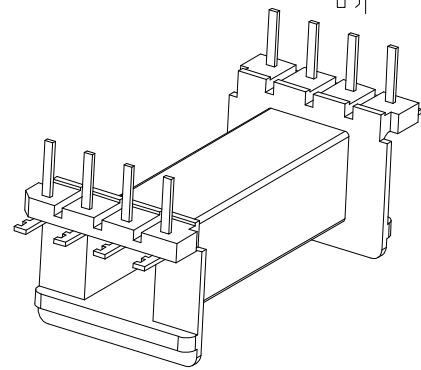
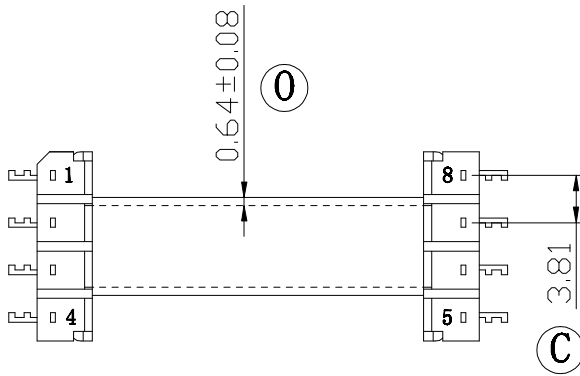
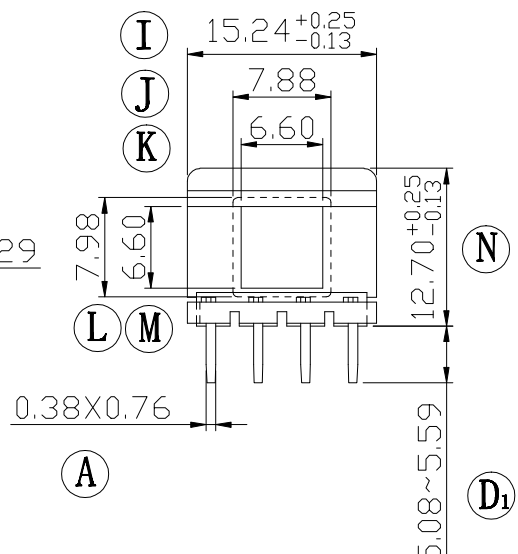
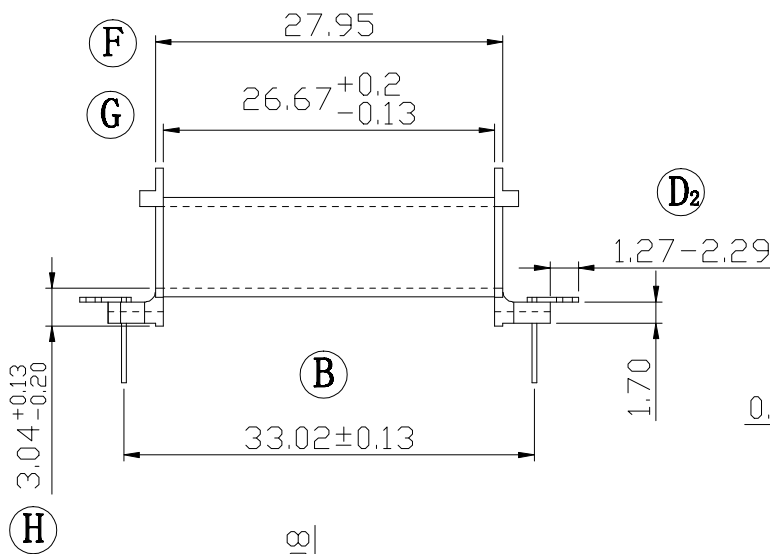
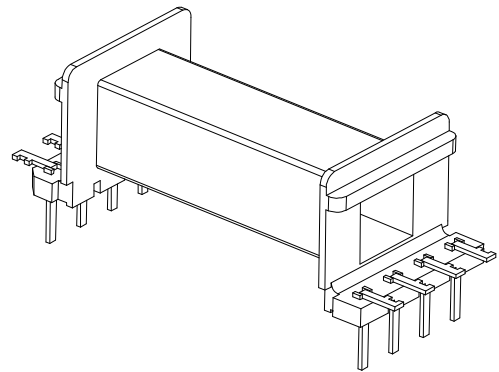
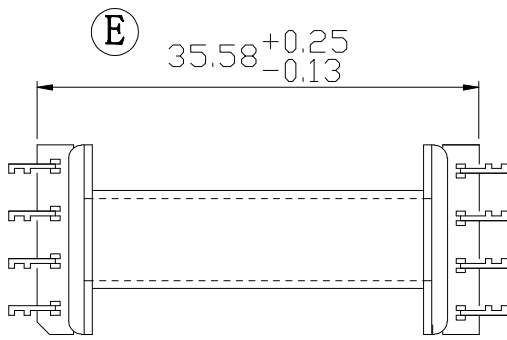



Build up your trust



TITLE: BOBBIN 250U	TOLERANCES		BOBBIN MATERIAL: RTP-205-FR	UL REC. UL 94 V-0
DRAWING NO: GS-2500 (070-6118)	0<L≤4 ±0.1	PIN PITCH ±0.2	PIN MATERIAL: PHOSPHOR BRONZE	PIN TENSION LOAD: 3.5KG MIN
	4<L≤16 ±0.2			
 建信電子制品有限公司 GEMSTONE ELECTRONIC PRODUCTS CO., LTD. ADD: 廣東省東莞市石排鎮石崇大道 TEL: (0769) 86514918, 86514919 FAX: 86514878	UNIT: MM	SCALE: 2/1	ANGLE: ±1°	DATE: 2006/04/06
	DRAWN: HZP		CHECK: XU ZHAN	REV: A0
				APPROVED:

REV.	PORTION.	BEFORE REV.	AFTER REV.