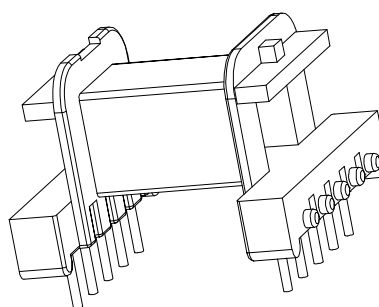
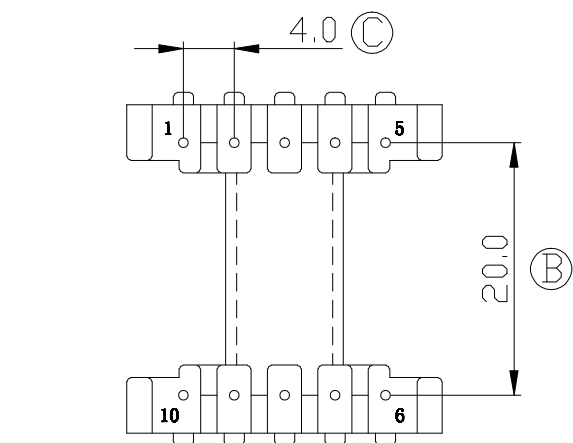
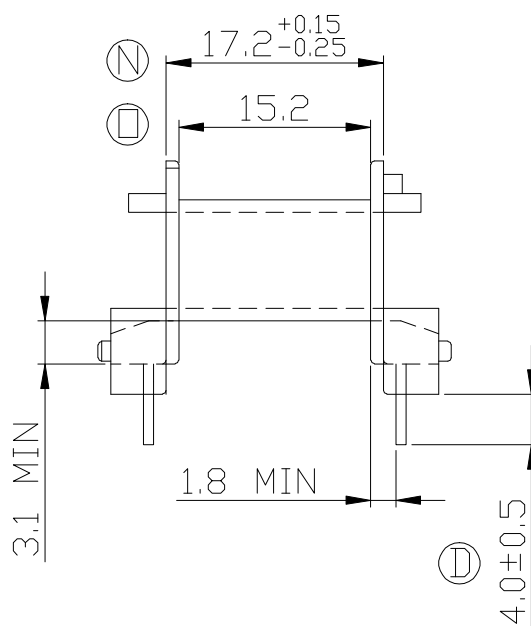
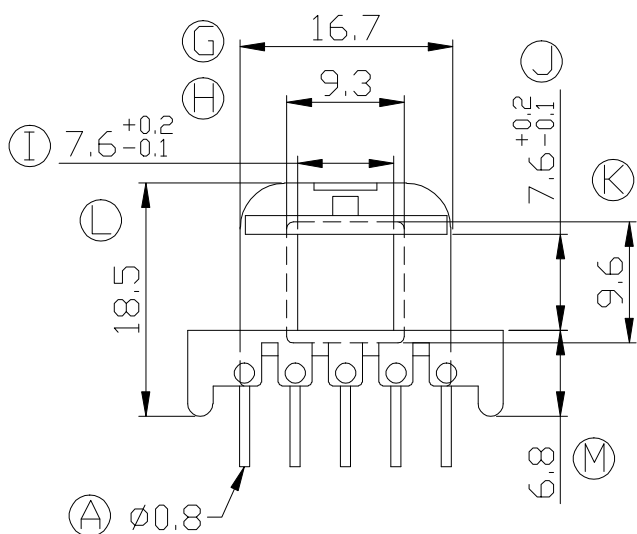
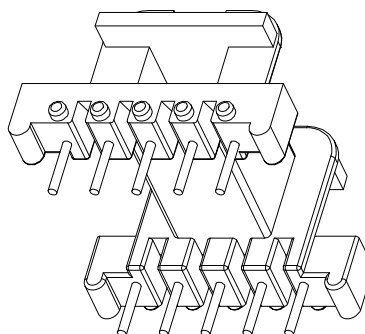
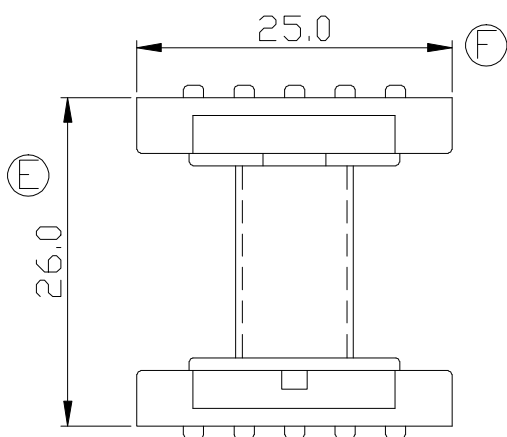


Build up your trust



TITLE: BOBBIN EF-25 (10PIN)

DRAWING NO: GS-2501

GEMSTONE 建信電子制品有限公司
GEMSTONE ELECTRONIC PRODUCTS CO., LTD.

ADD: 廣東省東莞市石排鎮石崇大道
TEL: (0769) 86514918, 86514919 FAX: 86514878

TOLERANCES

0<L≤4 ±0.1
4<L≤16 ±0.2
16<L≤63 ±0.3

PIN PITCH
±0.2

UNIT:
MM

SCALE:
2/1

DRAWN:

LW

BOBBIN MATERIAL:

PHENOLIC PM9820

PIN MATERIAL:
CP WIRE

ANGLE:
±1°

DATE:
2006/9/28

CHECK:

XU ZHAN

UL REC.

UL 94V-0

PIN TENSION LOAD:
1.5KG MIN

REV:

A1

APPROVED:

AFTER REV.

REV.

PORTION.

BEFORE REV.

M: 5.80→6.80

L: 17.50→18.50