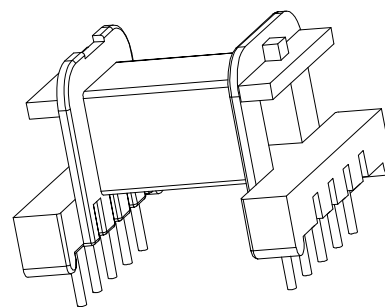
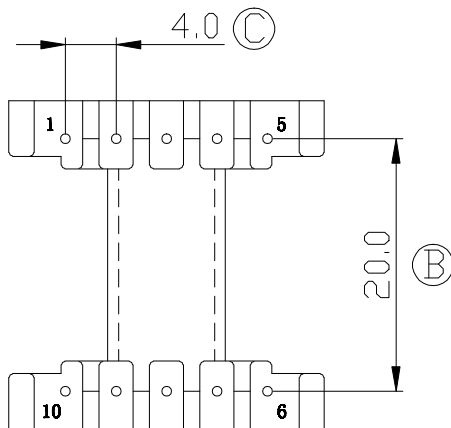
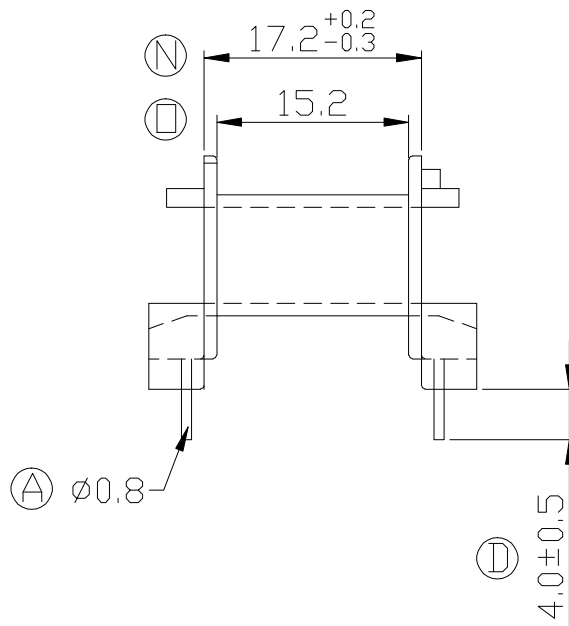
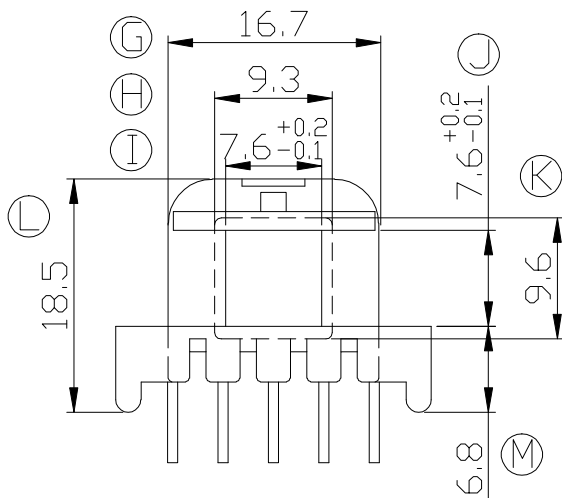
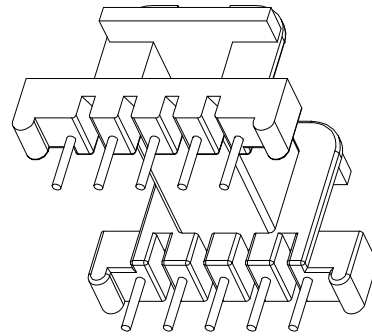
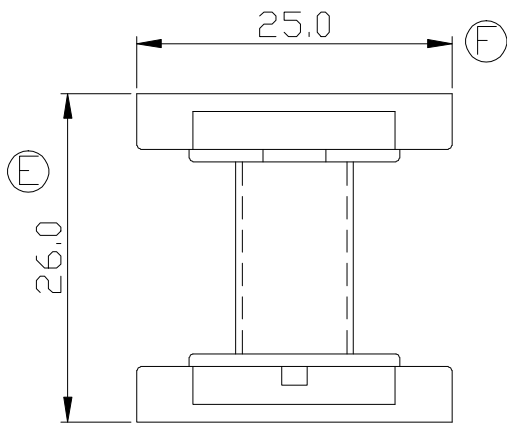



Build up your trust



TITLE:	BOBBIN EF-25 (10PIN)		TOLERANCES	BOBBIN MATERIAL:	UL REC.
DRAWING NO:	GS-2501-1		$0 < L \leq 4 \pm 0.1$ $4 < L \leq 16 \pm 0.2$ $16 < L \leq 63 \pm 0.3$	PHENOLIC T375HF	UL 94V-0
 <b>建信電子制品有限公司</b> GEMSTONE ELECTRONIC PRODUCTS CO., LTD. ADD: 廣東省東莞市石排鎮石崇大道 TEL: (0769) 86514918, 86514919 FAX: 86514878			UNIT: MM	SCALE: 2/1	PIN MATERIAL: CP WIRE
			ANGLE: $\pm 1^\circ$	DATE: 2007/10/31	PIN TENSION LOAD: 1.5KG MIN
			DRAWN: XU ZHAN	CHECK: DAVID	REV: A0
			APPROVED:		

REV.	PORTION.	BEFORE REV.	AFTER REV.