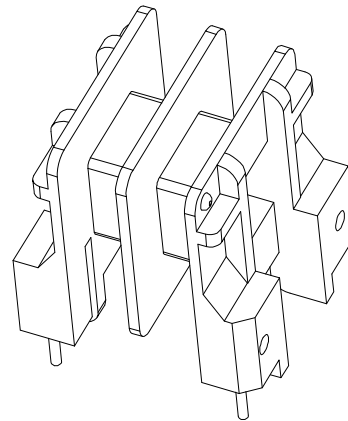
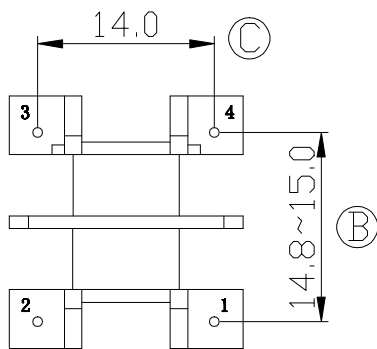
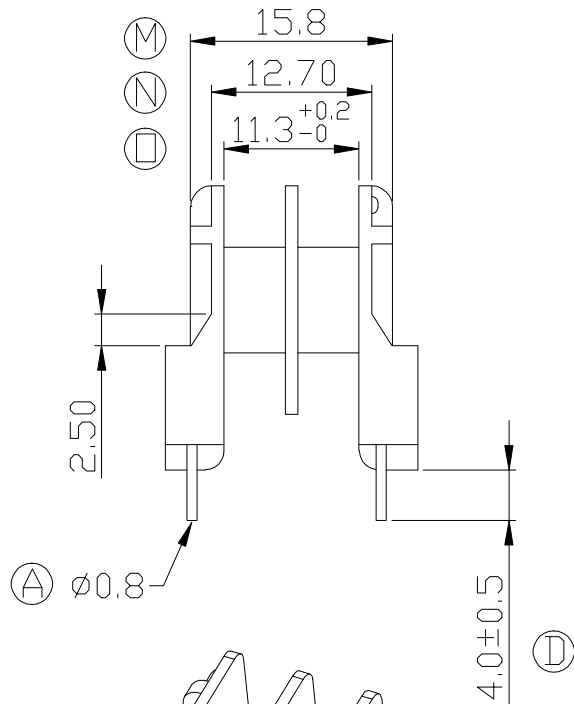
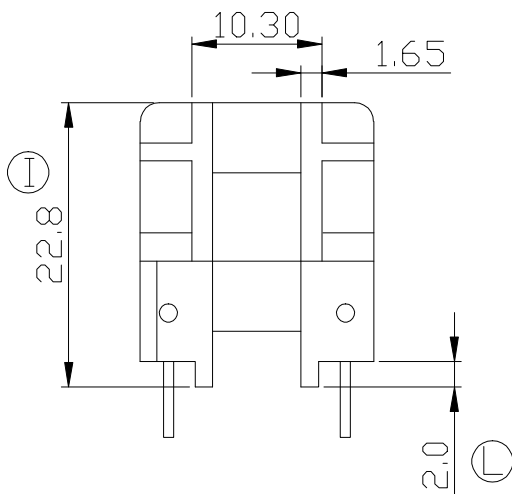
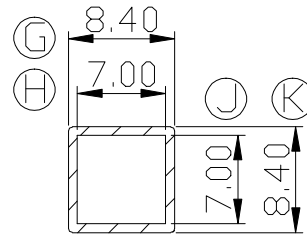
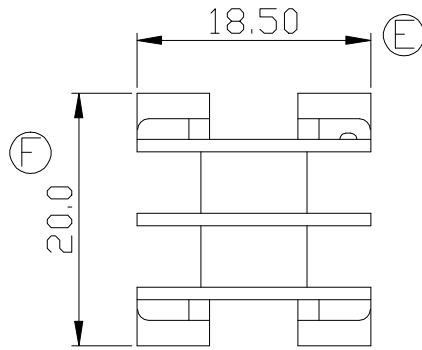


Build up your trust



TITLE: BOBBIN EE-25 (4PIN)	TOLERANCES		BOBBIN MATERIAL: PLASTIC PBT		UL REC. UL 94V-0
	0<L≤4 ±0.1	PIN PITCH ±0.2	PIN MATERIAL: CP WIRE		PIN TENSION LOAD: 1.5KG MIN
4<L≤16 ±0.2	16<L≤63 ±0.3		UNIT: MM	SCALE: 2/1	ANGLE: ±1°
DRAWING NO: GS-2502	GEMSTONE 建信電子制品有限公司 GEMSTONE ELECTRONIC PRODUCTS CO., LTD.		DRAWN: XU ZHAN	CHECK: XU ZHAN	REV: A1
ADD: 廣東省東莞市石排鎮石崇大道		TEL: (0769) 86514918, 86514919 FAX: 86514878		APPROVED:	

REV.	PORTION.	BEFORE REV.	AFTER REV.