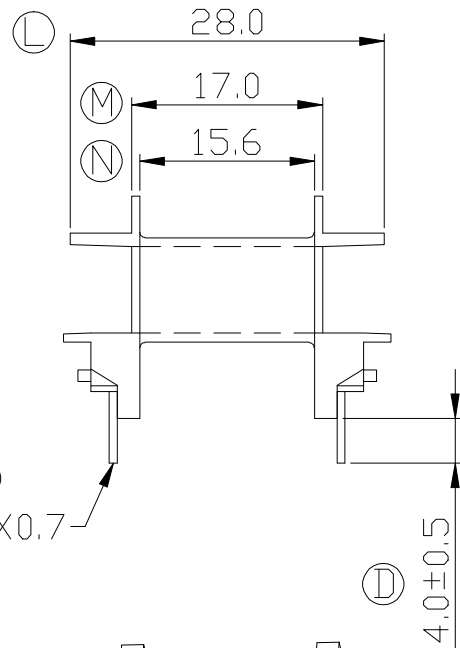
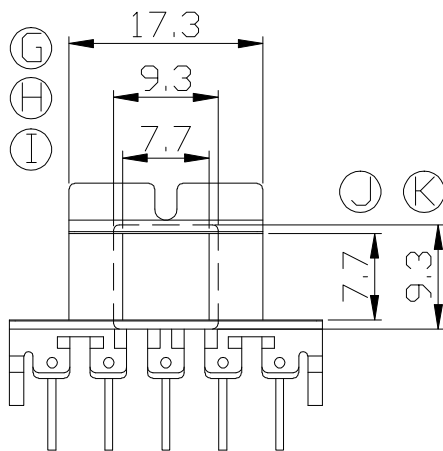
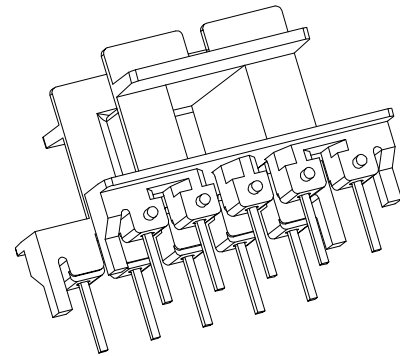
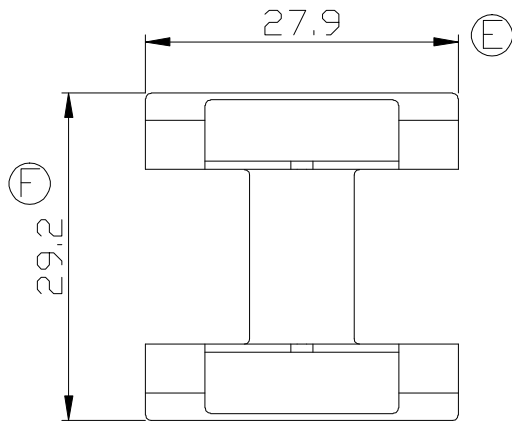
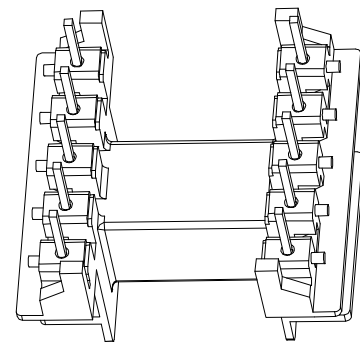
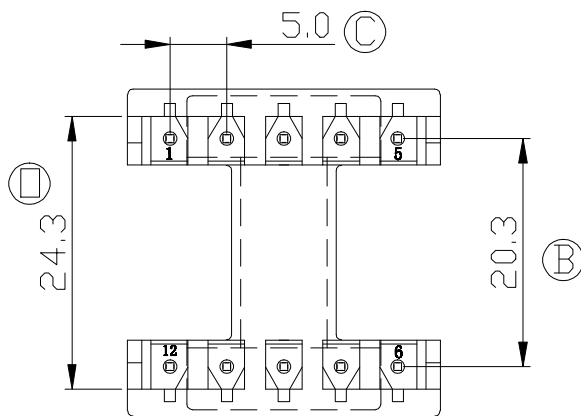


Build up your trust



□0.7X0.7 (A)



TITLE: BOBBIN EF-25 10PIN

DRAWING NO: GS-2503

GEMSTONE 建信電子制品有限公司
GEMSTONE ELECTRONIC PRODUCTS CO., LTD.

ADD: 廣東省東莞市石排鎮石崇大道
TEL: (0769) 86514918, 86514919 FAX: 86514878

TOLERANCES

0 $L \leq 4$	± 0.1	PIN PITCH ± 0.2
4 $L \leq 16$	± 0.2	
16 $L \leq 63$	± 0.3	

UNIT: MM SCALE: 2/1

DRAWN: XU ZHAN

BOBBIN MATERIAL: PLASTIC PET

PIN MATERIAL: CP WIRE

ANGLE: $\pm 1^\circ$ DATE: 2004/4/15

CHECK: DAVID

UL REC. UL 94V-0

PIN TENSION LOAD: 1.5KG MIN

REV: A0

APPROVED:

REV.	PORTION.	BEFORE REV.	AFTER REV.