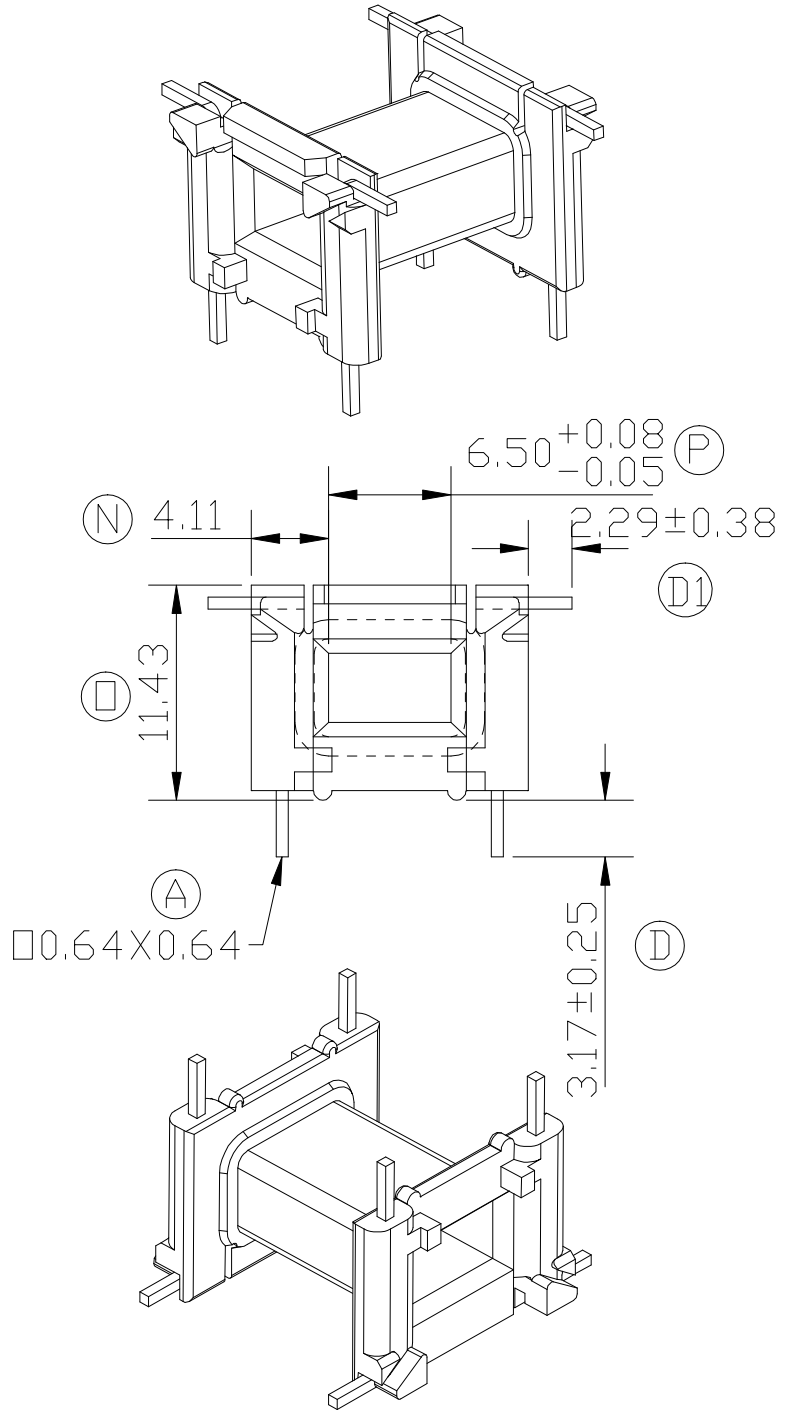
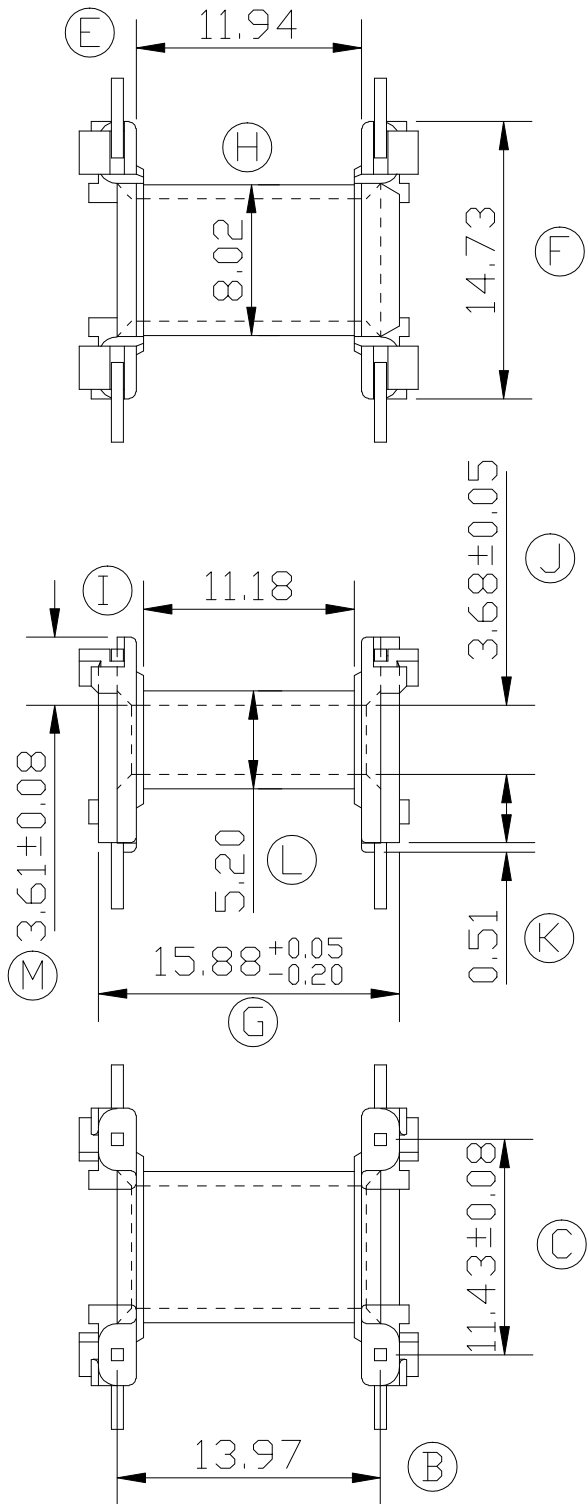



Build up your trust



TITLE: EE-25 4PIN		TOLERANCES		BOBBIN MATERIAL: PLASTIC PET FR530 (NC)		UL REC. UL 94V-0	
DRAWING NO: GS-2505 (070-9666)		±0.13	PIN PITCH ±0.2	PIN MATERIAL: PHOSPHOR BRONZE		PIN TENSION LOAD: 4.0KG MIN	
 建信電子制品有限公司 GEMSTONE ELECTRONIC PRODUCTS CO., LTD. ADD: 廣東省東莞市石排鎮石崇大道 TEL: (0769) 86514918, 86514919 FAX: 86514878		UNIT: MM	SCALE: 1/1	ANGLE: ±1°	DATE: 2008/11/07	REV: A3	
		DRAWN: XU ZHAN		CHECK: XU ZHAN		APPROVED:	

REV.	PORTION.	BEFORE REV.	AFTER REV.