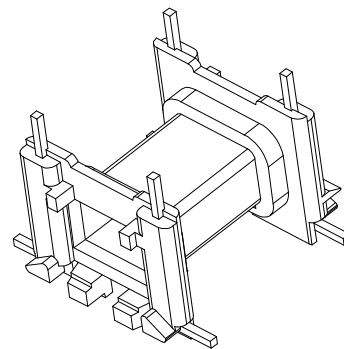
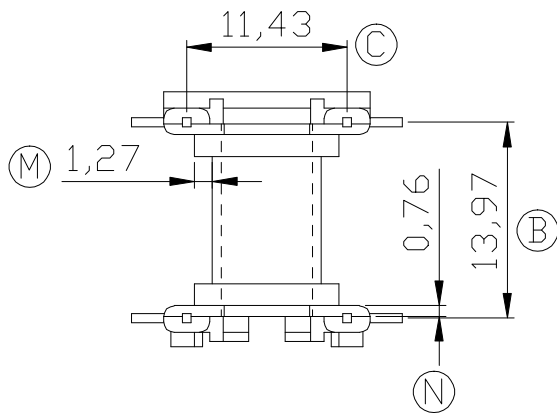
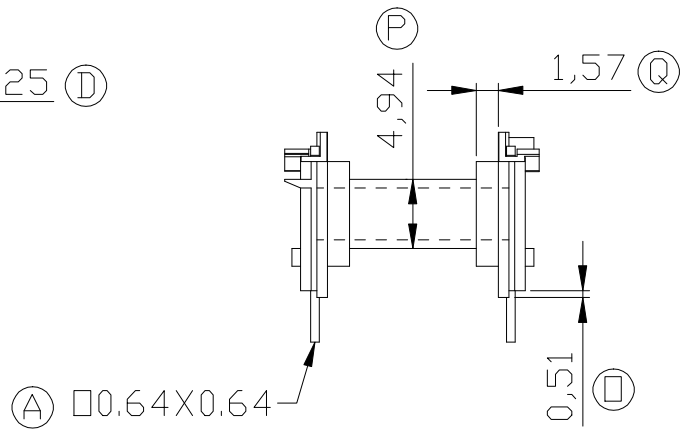
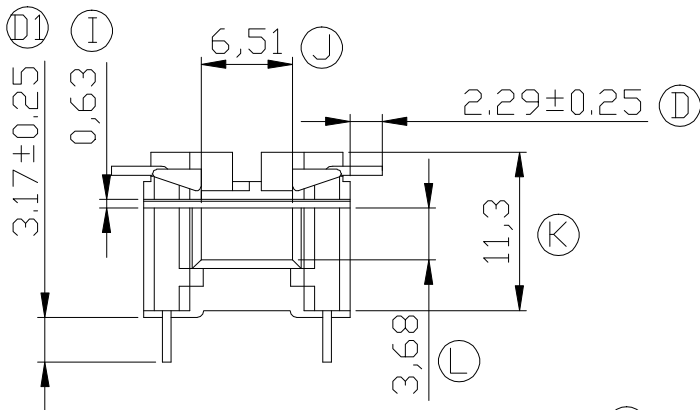
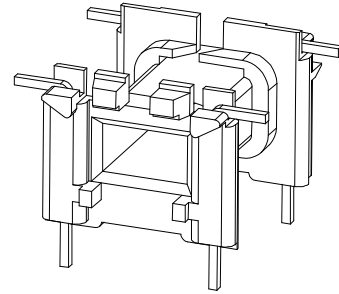
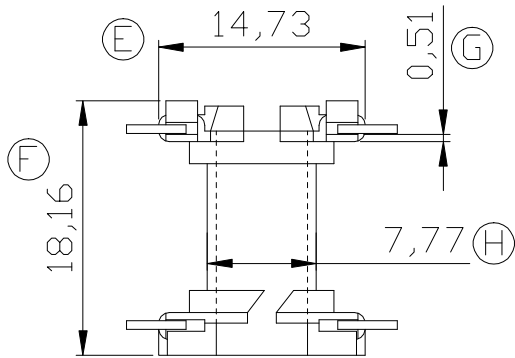



Build up your trust



TITLE:	BOBBIN EE-25 4PIN		TOLERANCES	BOBBIN MATERIAL:	UL REC.
DRAWING NO:	GS-2506		$0 < L \leq 4 \pm 0.1$ $4 < L \leq 16 \pm 0.2$ $16 < L \leq 63 \pm 0.3$	PLASTIC HTN51G35HSL	UL 94HB
 建信電子制品有限公司 GEMSTONE ELECTRONIC PRODUCTS CO., LTD.			UNIT: MM SCALE: 2/1	PIN MATERIAL:	PIN TENSION LOAD:
				PHOSPHOR BRONZE	1.5KG MIN
ADD: 廣東省東莞市石排鎮石崇大道 TEL: (0769) 86514918, 86514919 FAX: 86514878			ANGLE: $\pm 1^\circ$ DATE: 2004/8/15	REV: A1	APPROVED:
			DRAWN: XU ZHAN	CHECK: DAVID	

REV.	PORTION.	BEFORE REV.	AFTER REV.