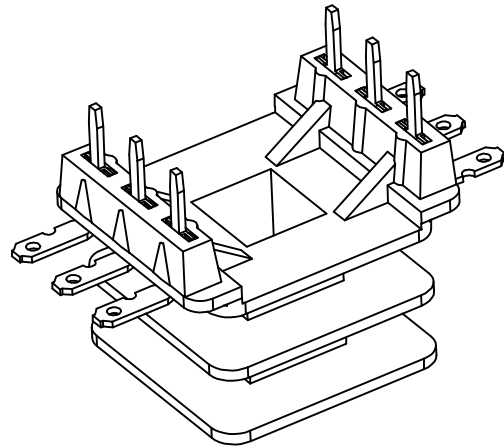
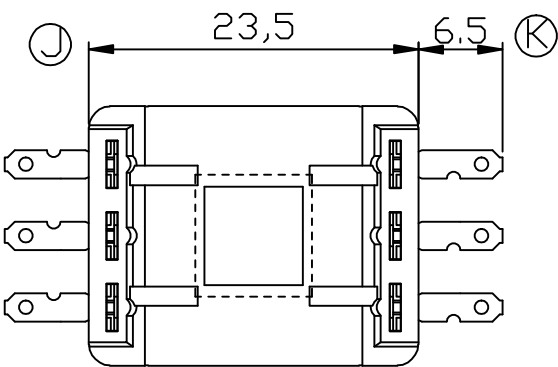
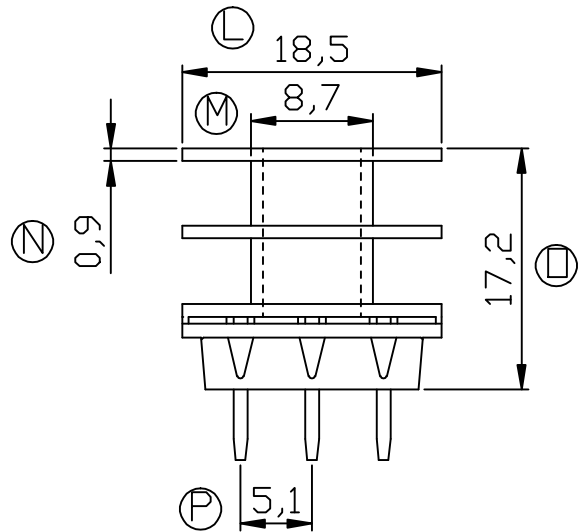
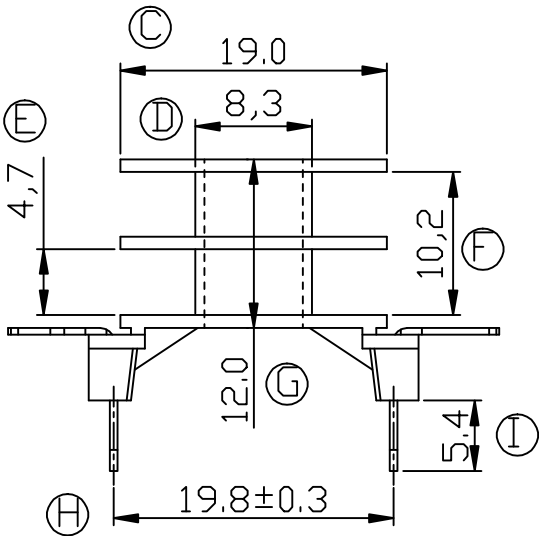
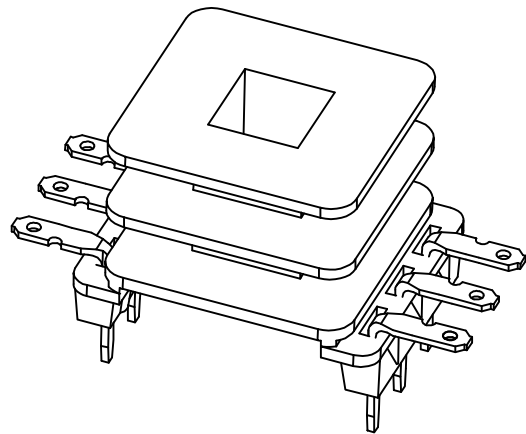
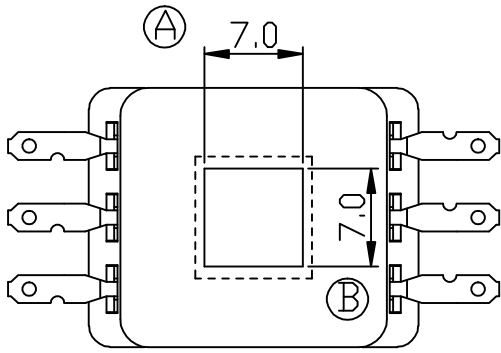



Build up your trust



TITLE: BOBBIN EE-25		TOLERANCES		BOBBIN MATERIAL: PLASTIC PET		UL REC. UL 94V-0	
DRAWING NO: GS-2508		0<L≤4 ±0.1	PIN PITCH ±0.2	PIN MATERIAL: TERMINAL		PIN TENSION LOAD: 1.5KG MIN	
		4<L≤16 ±0.2					
		16<L≤63 ±0.3					
 建信電子制品有限公司 GEMSTONE ELECTRONIC PRODUCTS CO., LTD. ADD: 廣東省東莞市石排鎮石崇大道 TEL: (0769)86514918, 86514919 FAX:86514878		UNIT: MM	SCALE: 2/1	ANGLE: ±1°	DATE: 2005/4/14	REV: A1	
		DRAWN: XU ZHAN		CHECK: XU ZHAN		APPROVED:	

REV.	PORTION.	BEFORE REV.	AFTER REV.