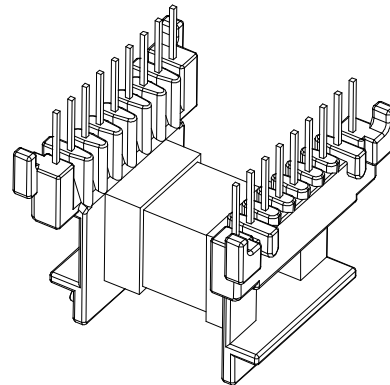
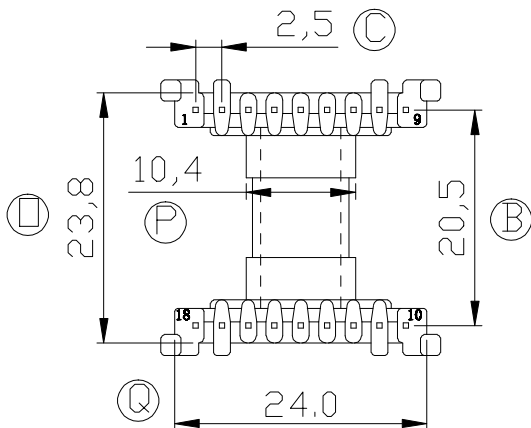
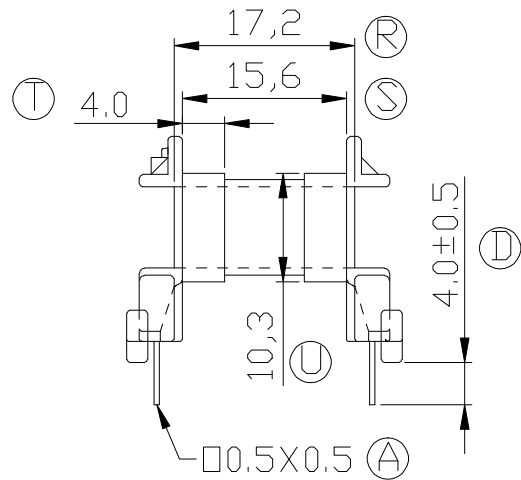
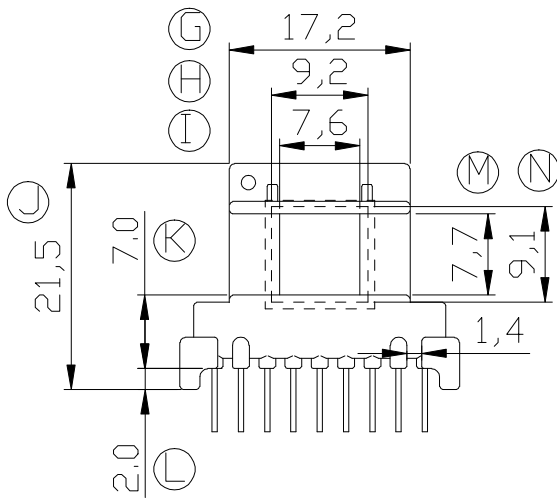
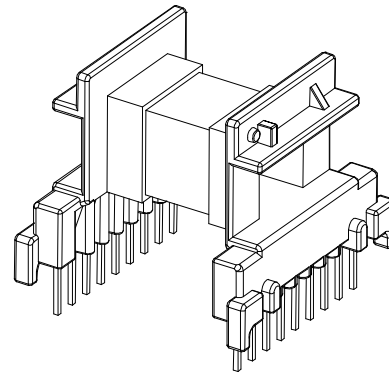
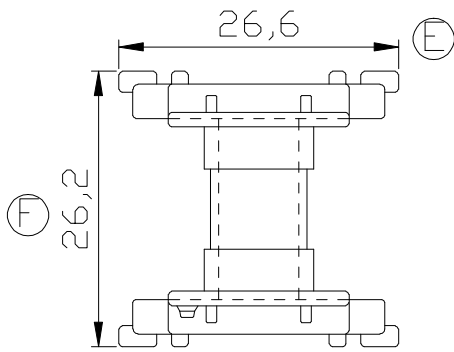


Build up your trust



**TITLE:** BOBBIN EF-25 18PIN

**DRAWING NO:** GS-2509-B

**GEMSTONE** 建信電子制品有限公司  
GEMSTONE ELECTRONIC PRODUCTS CO., LTD.

ADD: 廣東省東莞市石排鎮石崇大道  
TEL: (0769) 86514918, 86514919 FAX: 86514878

<b>TOLERANCES</b>		<b>BOBBIN MATERIAL:</b> PHENOLIC T375HF		<b>UL REC.</b> UL 94V-0
0<L≤4 ±0.1	<b>PIN PITCH</b> ±0.2	<b>PIN MATERIAL:</b> CP WIRE		<b>PIN TENSION LOAD:</b> 0.8KG MIN
4<L≤16 ±0.2				
16<L≤63 ±0.3				
<b>UNIT:</b> MM	<b>SCALE:</b> 1.5/1	<b>ANGLE:</b> ±1°	<b>DATE:</b> 2004/11/19	<b>REV:</b> A1
<b>DRAWN:</b> XU ZHAN		<b>CHECK:</b> DAVID		<b>APPROVED:</b>

REV.	PORTION.	BEFORE REV.	AFTER REV.