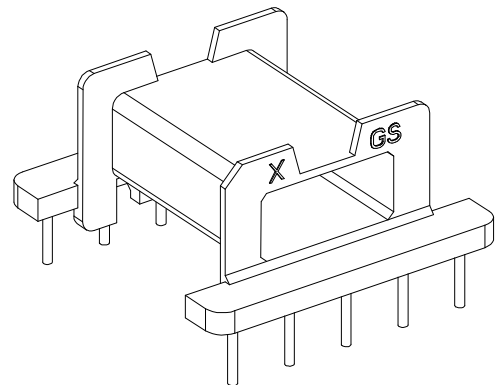
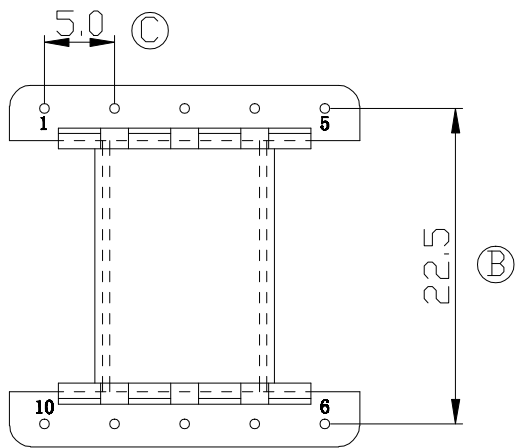
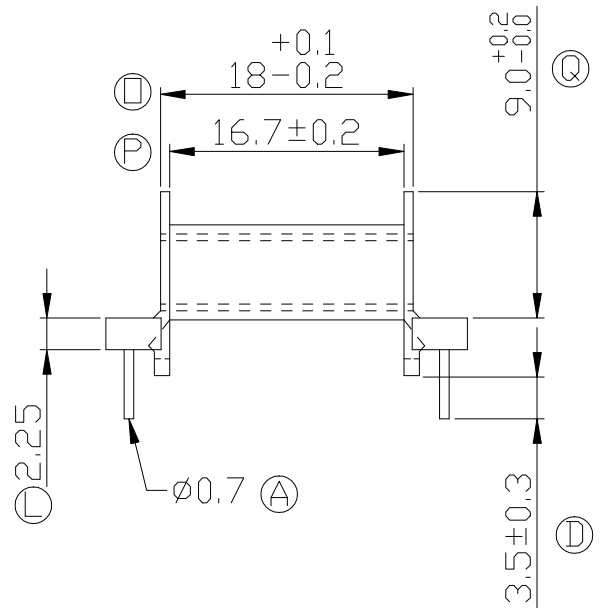
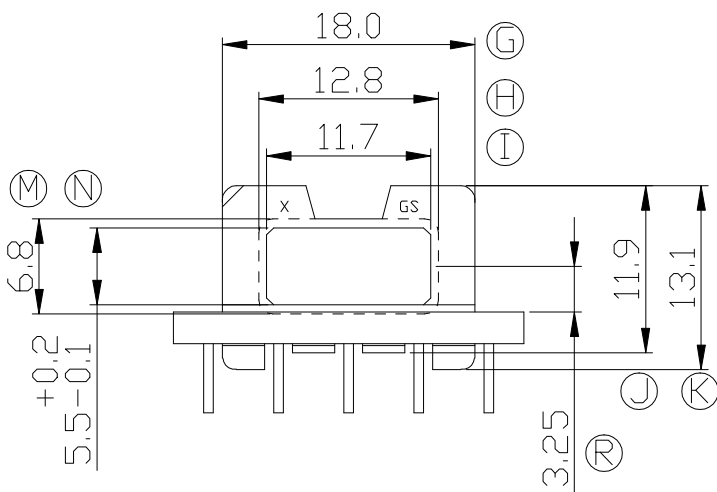
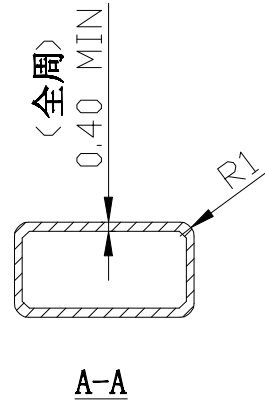
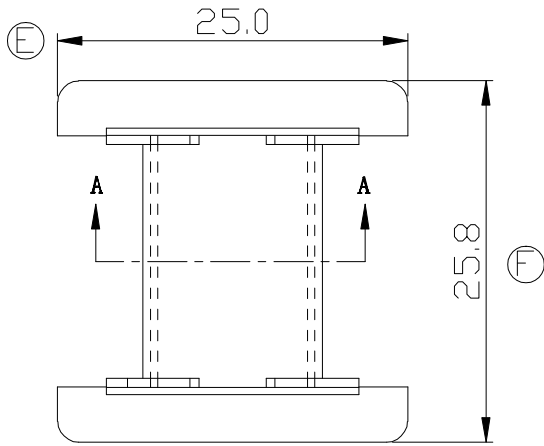



Build up your trust



TITLE: EFD-25 10PIN		TOLERANCES		BOBBIN MATERIAL: PHENOLIC PM9820		UL REC. UL 94V-0		
DRAWING NO: GS-2510		0<L≤4 ±0.1	PIN PITCH ±0.2	PIN MATERIAL: CP WIRE		PIN TENSION LOAD: 1.0KG MIN		
 建信電子制品有限公司 GEMSTONE ELECTRONIC PRODUCTS CO., LTD. ADD: 廣東省東莞市石排鎮石崇大道 TEL: (0769) 86514918, 86514919 FAX: 86514878		4<L≤16 ±0.2		UNIT: MM	SCALE: 2/1	ANGLE: ±1°	DATE: 2009/8/10	REV: A1
		16<L≤63 ±0.3		DRAWN: XU ZHAN		CHECK: XU ZHAN		APPROVED:

REV.	REVISIONS REC.	REV.	REVISIONS REC.
A1	葉片擋牆增加“GS”LOGO		