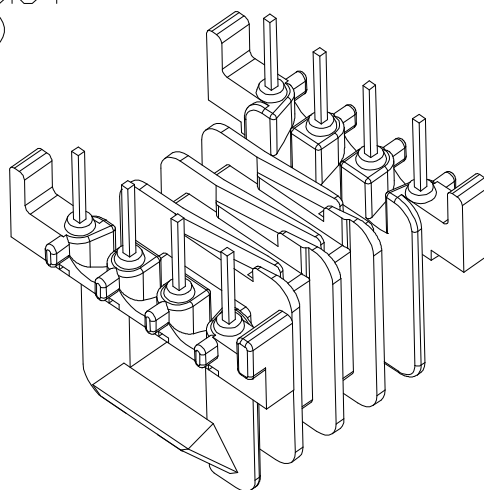
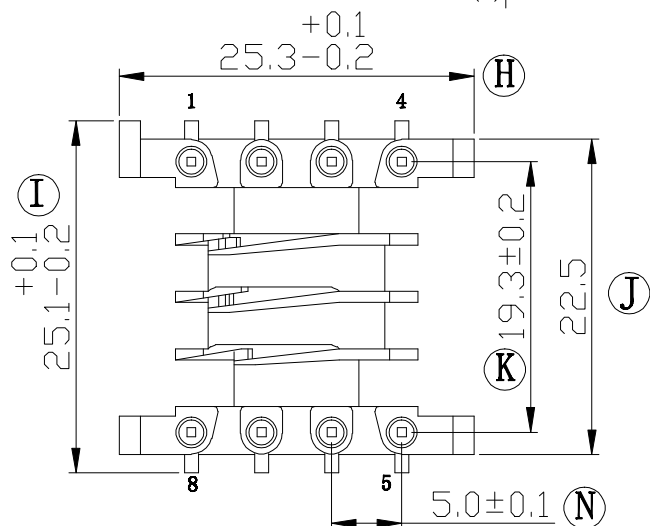
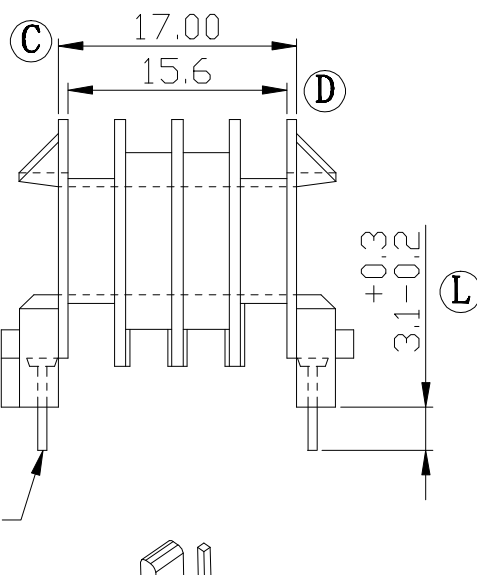
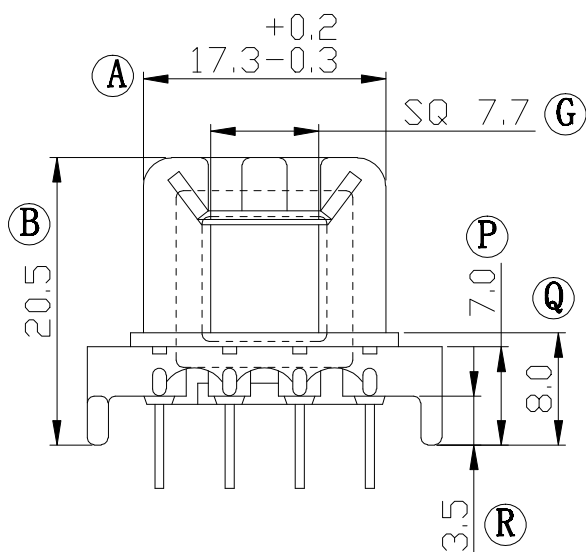
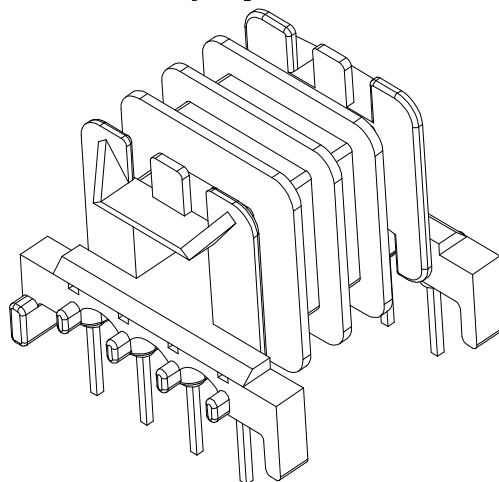
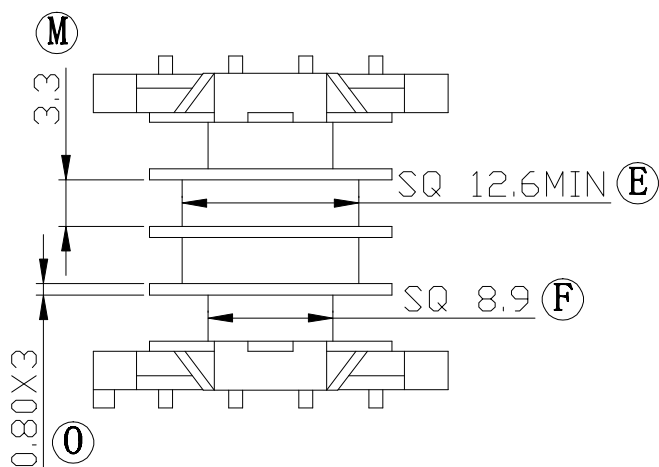



Build up your trust



TITLE:	EF-25 8PIN		TOLERANCES	BOBBIN MATERIAL:	UL REC.
DRAWING NO:	GS-2511		0<L≤4 ±0.1 4<L≤16 ±0.2 16<L≤63 ±0.3	PET FR530	UL 94V-0
 <b>建信電子制品有限公司</b> GEMSTONE ELECTRONIC PRODUCTS CO., LTD. ADD: 廣東省東莞市石排鎮石崇大道 TEL: (0769) 86514918, 86514919 FAX: 86514878	UNIT:	SCALE:	PIN PITCH	PIN MATERIAL:	PIN TENSION LOAD:
	MM	2/1	±0.2	CP WIRE	1.5KG MIN
	DRAWN:	CHECK:	ANGLE:	DATE:	REV:
	XU ZHAN	XU ZHAN	±1°	2005/3/20	A2
					APPROVED:

REV.	PORTION.	BEFORE REV.	AFTER REV.