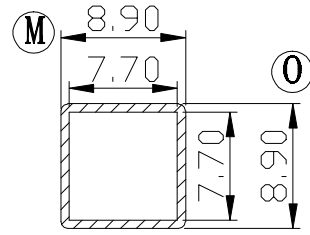
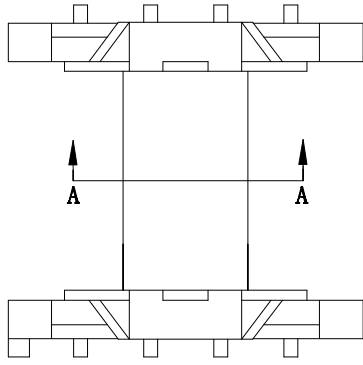
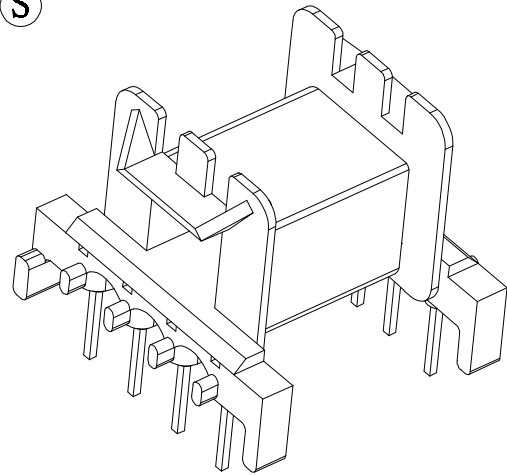
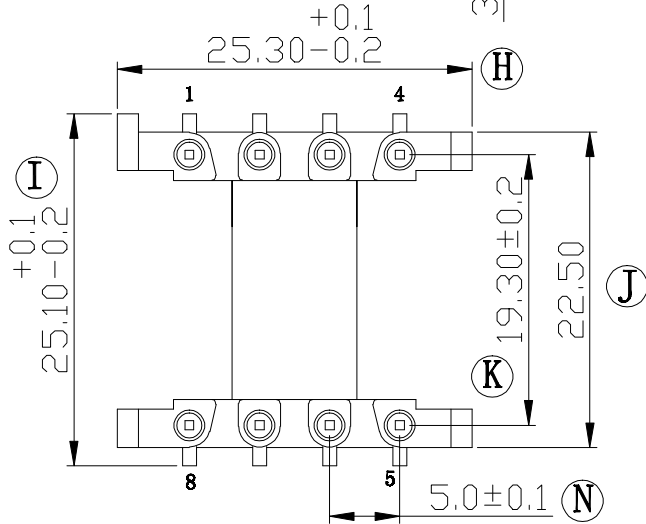
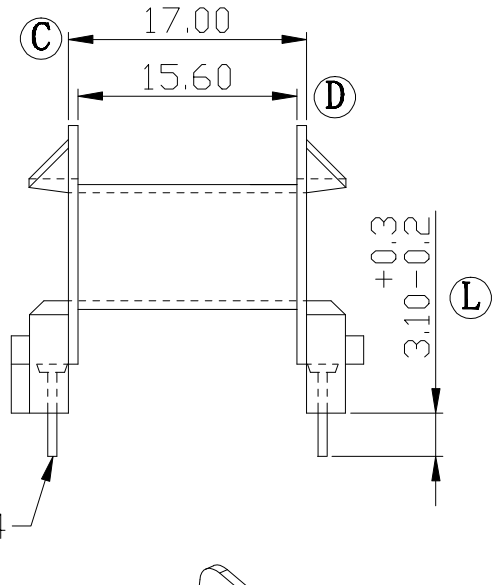
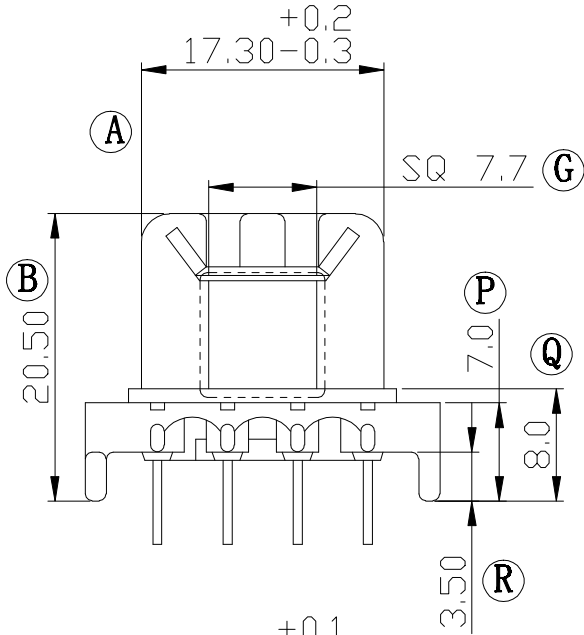



Build up your trust



SECTION: A-A



| | | | | | |
|--|------------|--------------|-------------------|------------------|-------------------|
| TITLE: | EF-25 8PIN | TOLERANCES | | BOBBIN MATERIAL: | UL REC. |
| DRAWING NO: | GS-2511-1 | 0<L≤4 ±0.1 | PIN PITCH ±0.2 | PET FR530 | UL 94V-0 |
|  建信電子制品有限公司 GEMSTONE ELECTRONIC PRODUCTS CO., LTD. | | 4<L≤16 ±0.2 | | PIN MATERIAL: | PIN TENSION LOAD: |
| | | 16<L≤63 ±0.3 | | CP WIRE | 1.5KG MIN |
| ADD: 廣東省東莞市石排鎮石崇大道 TEL: (0769) 86514918, 86514919 FAX: 86514878 | | UNIT: | SCALE: | ANGLE: | DATE: |
| | | MM | 2/1 | ±1° | 2007/2/24 |
| | | DRAWN: | | CHECK: | REV: |
| | | XU ZHAN | | DAVID | A0 |
| | | DRAWN: | | CHECK: | APPROVED: |
| | | XU ZHAN | | DAVID | |

| | | | |
|------|----------|-------------|------------|
| REV. | PORTION. | BEFORE REV. | AFTER REV. |
| | | | |
| | | | |
| | | | |