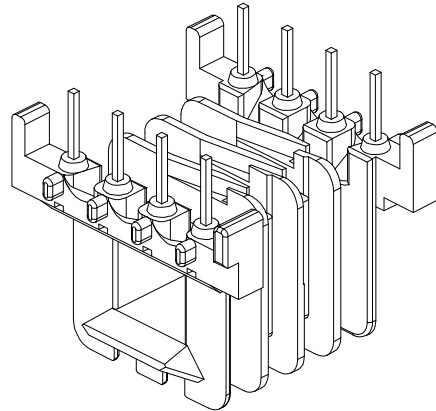
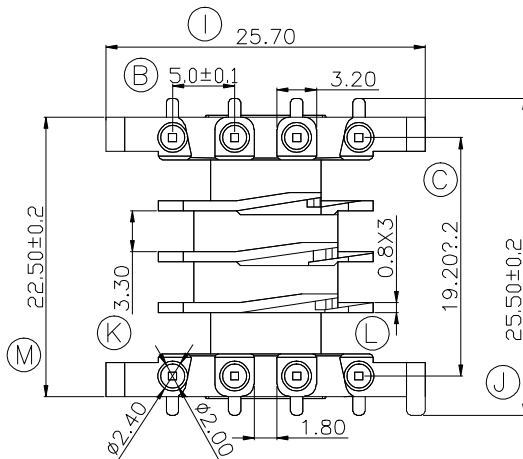
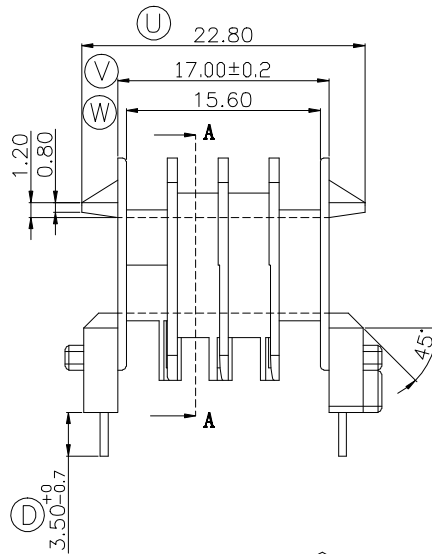
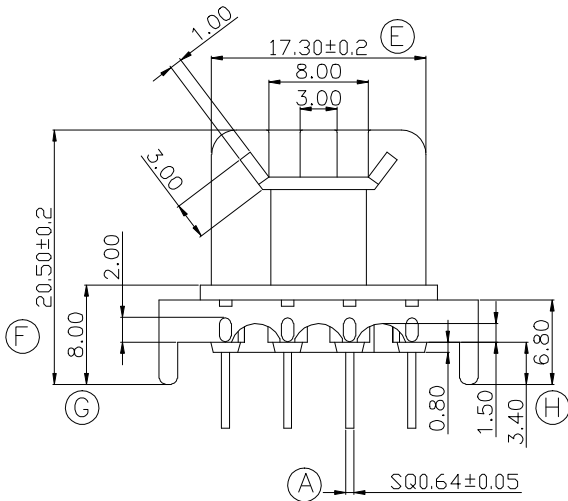
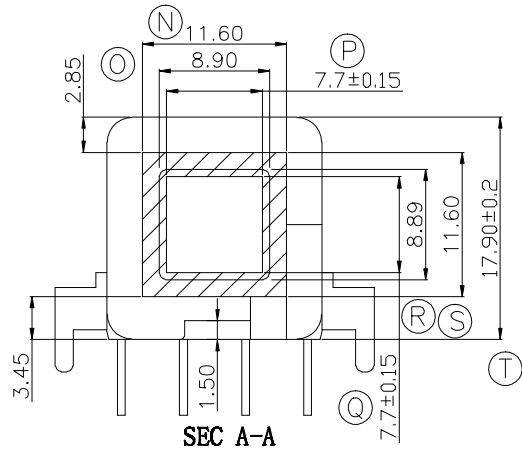
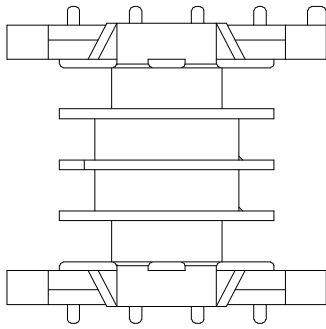



Build up your trust



TITLE: EF-25 (8PIN)	TOLERANCES		BOBBIN MATERIAL: FR530	UL REC. UL 94V-0	
	0<L≤4±0.1	PIN PITCH ±0.2	PIN MATERIAL: CP WIRE	PIN TENSION LOAD: 1.2Kg MIN	
4<L≤16±0.2	UNIT: MM				SCALE: 2/1
DRAWING NO: GS-2511-2	16<L≤63±0.3		DRAWN: XU ZHAN	CHECK: XU ZHAN	APPROVED:
 <b>建信電子制品有限公司</b> GEMSTONE ELECTRONIC PRODUCTS CO., LTD.	ADD: 廣東省東莞市石排鎮石崇大道		REV: A0		
	TEL: (0769) 86514918, 86514919 FAX: 86514878				

BEFORE REV.	AFTER REV.