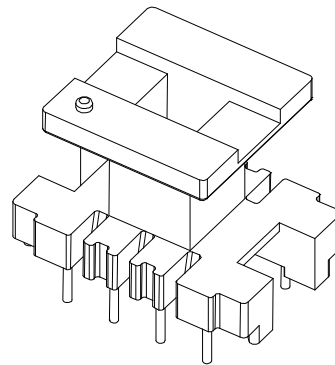
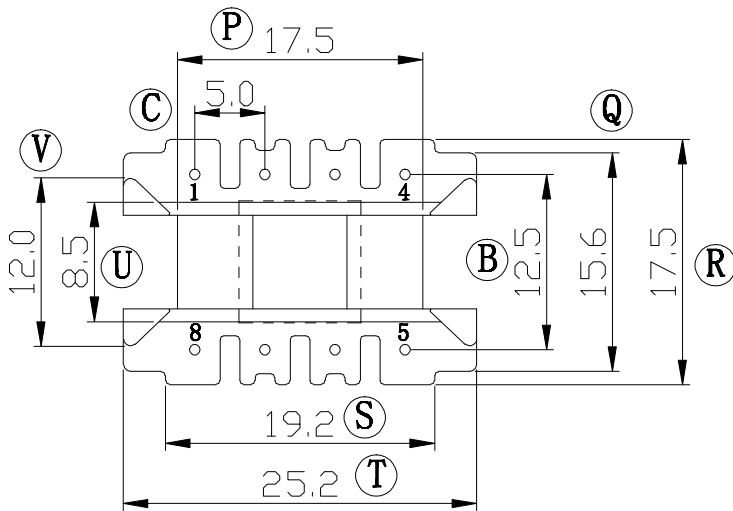
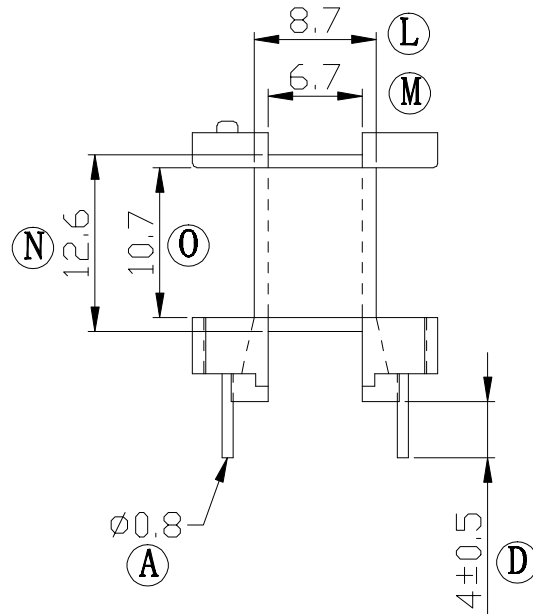
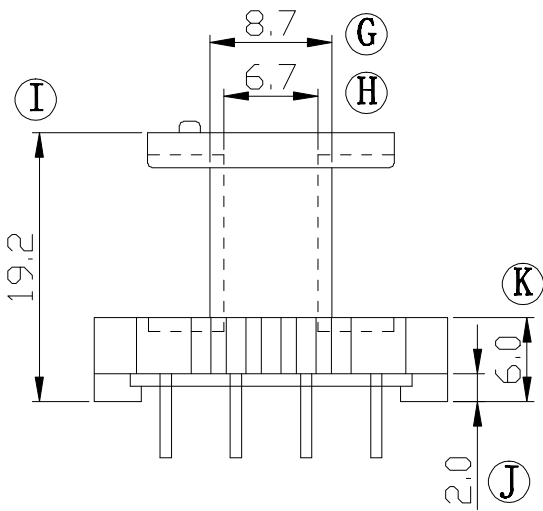
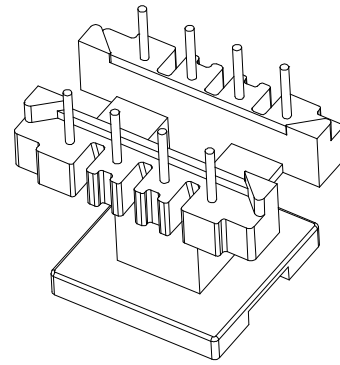
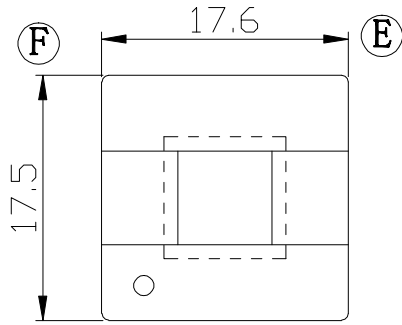



Build up your trust



|  |                     |  |   |                  |               |
|--|---------------------|--|---|------------------|---------------|
| TITLE:   | BOBBIN EE-25 (8PIN) |  | TOLERANCES  | BOBBIN MATERIAL: | UL REC.       |
| DRAWING NO:  | GS-2514             |  | $0 < L \leq 4 \pm 0.1$<br>$4 < L \leq 16 \pm 0.2$<br>$16 < L \leq 63 \pm 0.3$ | PHENOLIC T375HF  | UL 94V-0      |
|  <b>建信電子制品有限公司</b><br>GEMSTONE ELECTRONIC PRODUCTS CO., LTD. |                     |  | UNIT:   | SCALE:           | ANGLE:        |
|  |                     |  | MM  | 2/1              | $\pm 1^\circ$ |
| ADD: 廣東省東莞市石排鎮石崇大道<br>TEL: (0769) 86514918, 86514919 FAX: 86514878   |                     |  | DRAWN:  | CHECK:           | DATE:         |
|  |                     |  | XU ZHAN   | DAVID            | 2004/3/31     |
|  |                     |  |   |                  | REV:          |
|  |                     |  |   |                  | A0            |
|  |                     |  |   |                  | APPROVED:     |
|  |                     |  |   |                  |               |

| REV. | PORTION. | BEFORE REV. | AFTER REV. |
|------|----------|-------------|------------|
|      |          |             |            |
|      |          |             |            |
|      |          |             |            |