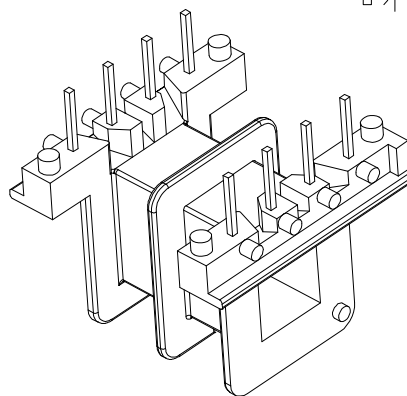
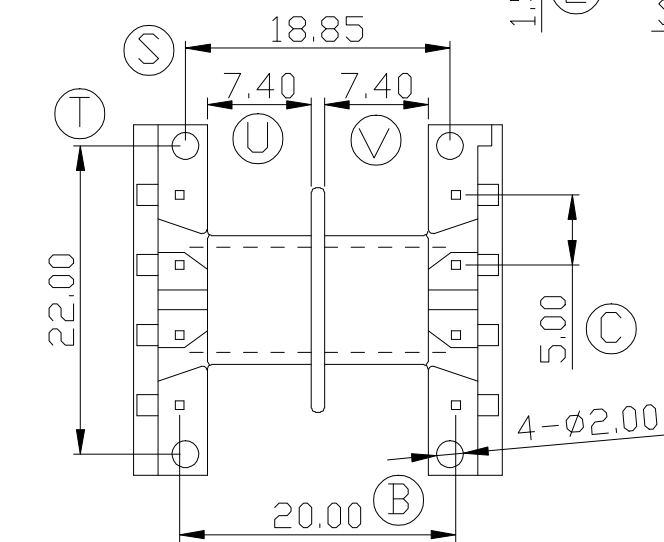
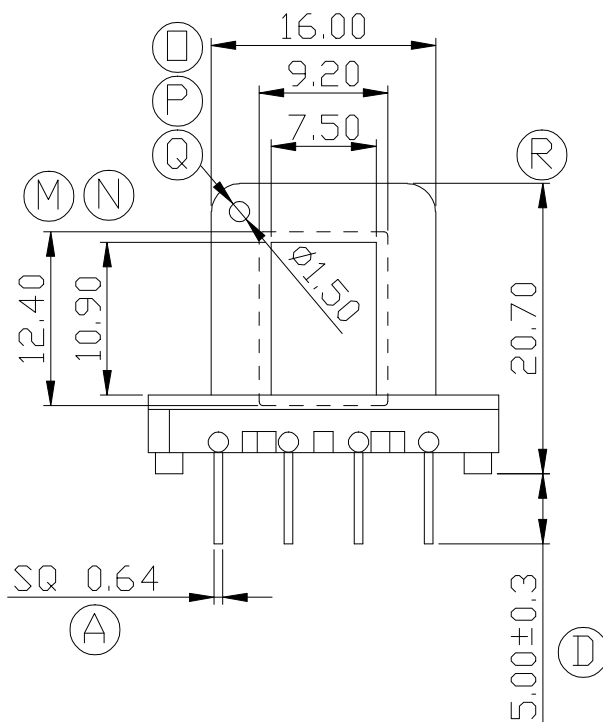
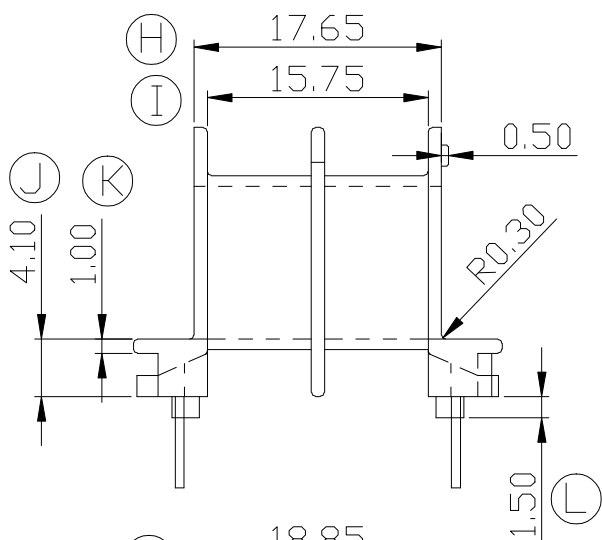
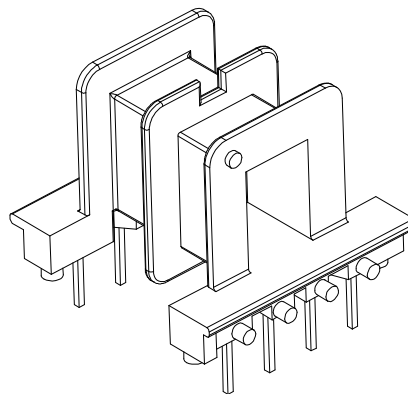
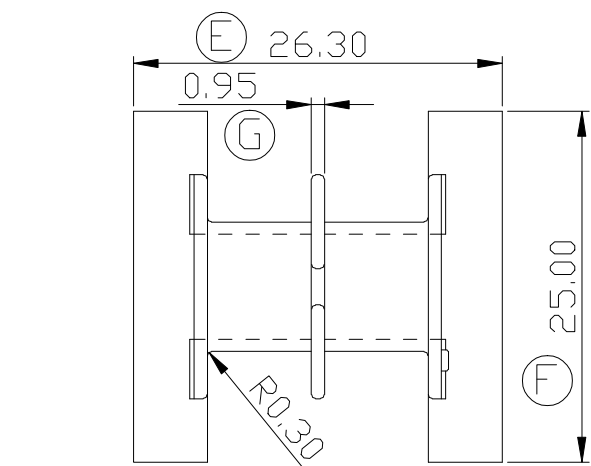


Build up your trust



TITLE: EF-2511-1(雙槽) 8PIN

DRAWING NO: GS-2519-1

GEMSTONE 建信電子制品有限公司
GEMSTONE ELECTRONIC PRODUCTS CO., LTD.

ADD: 廣東省東莞市石排鎮石崇大道
TEL: (0769) 86514918, 86514919 FAX: 86514878

TOLERANCES		BOBBIN MATERIAL: T375HF		UL REC. UL 94V-0
0<L≤4 ±0.1	PIN PITCH ±0.2	PIN MATERIAL: CP WIRE		PIN TENSION LOAD: 1.5kg MIN
4<L≤16 ±0.2				
16<L≤63 ±0.3				
UNIT: MM	SCALE: 2/1	ANGLE: ±1°	DATE: 2006/08/21	REV: A4
DRAWN: HZP		CHECK: XU ZHAN		APPROVED:

REV.	PORTION.	BEFORE REV.	AFTER REV.