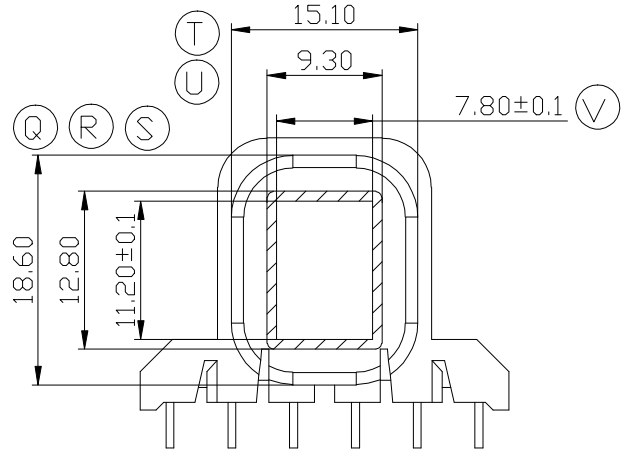
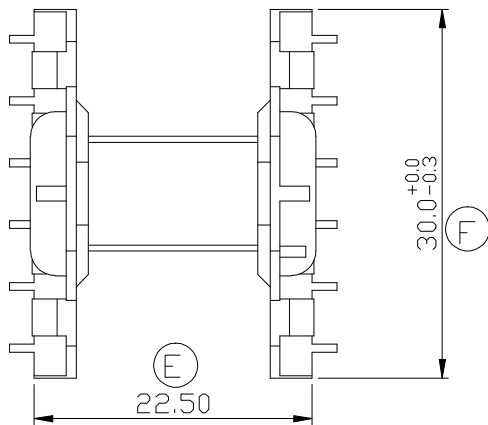
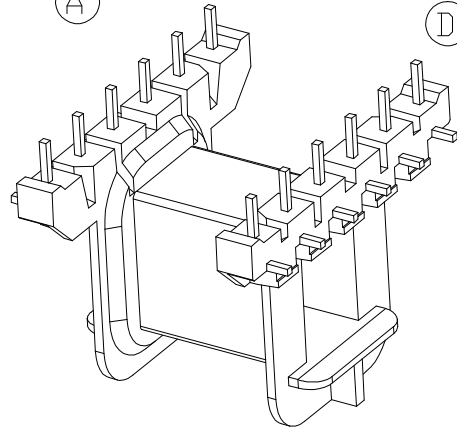
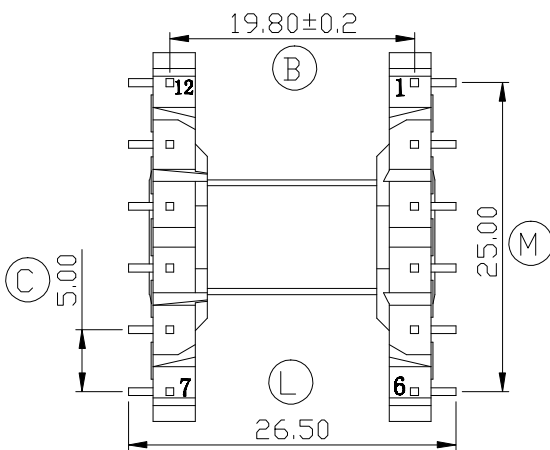
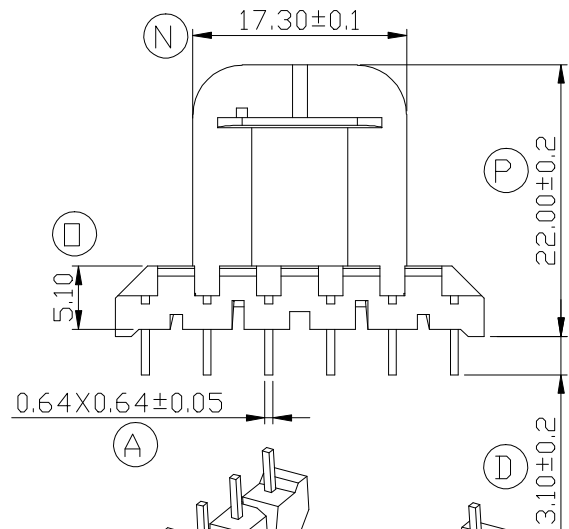
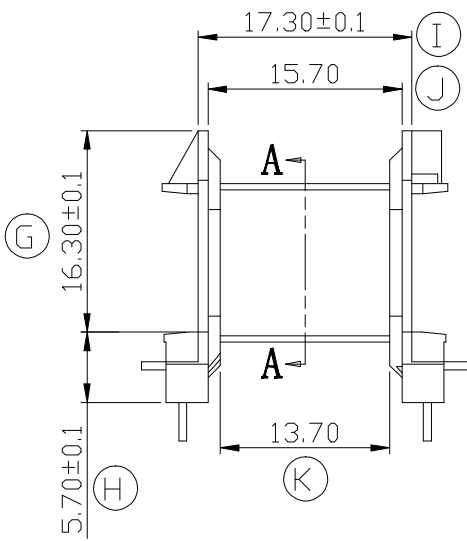


Build up your trust



A-A



TITLE: BOBBIN EF25/11 12PIN

DRAWING NO: GS-2521

TOLERANCES

0<L≤4 ±0.1
4<L≤16 ±0.2
16<L≤63 ±0.3

PIN PITCH
±0.2

BOBBIN MATERIAL:

4410G6 (BK)

UL REC.

UL 94V-0

PIN MATERIAL:
CP WIRE

PIN TENSION LOAD:
1.5KG MIN

GEMSTONE 建信電子制品有限公司
GEMSTONE ELECTRONIC PRODUCTS CO., LTD.

UNIT:
MM

SCALE:
1/1

ANGLE:
±1°

DATE:
2006/03/25

REV:
A0

ADD: 廣東省東莞市石排鎮石崇大道
TEL: (0769) 86514918, 86514919 FAX: 86514878

DRAWN:
HQP

CHECK:
XU ZHAN

APPROVED:

REV.

PORTION.

BEFORE REV.

AFTER REV.