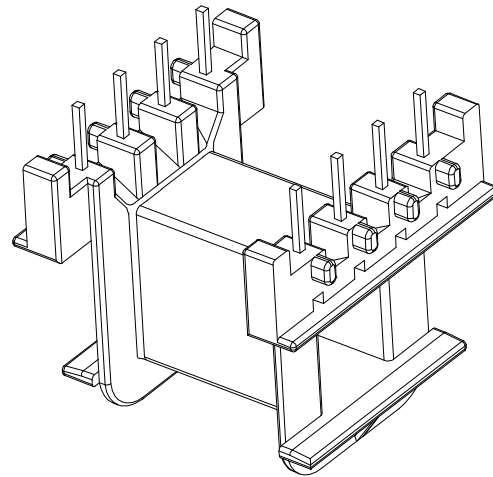
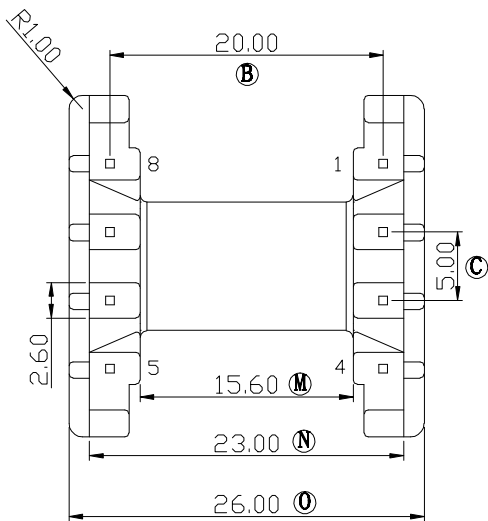
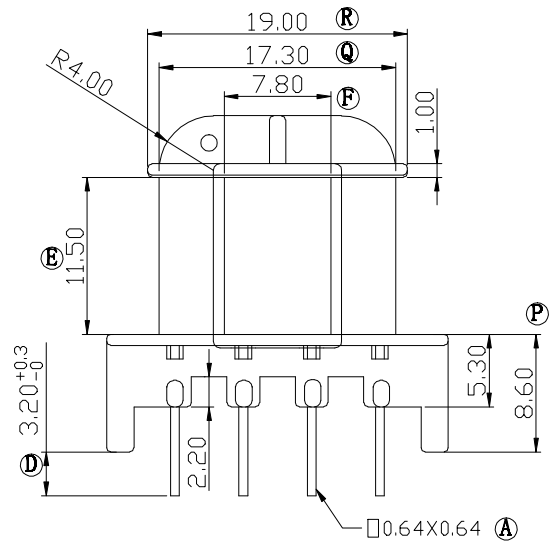
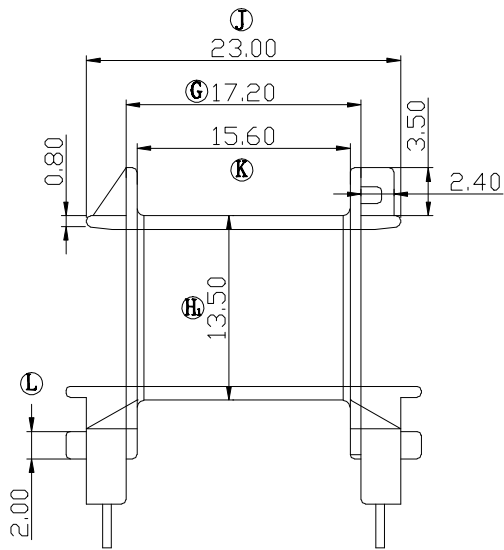
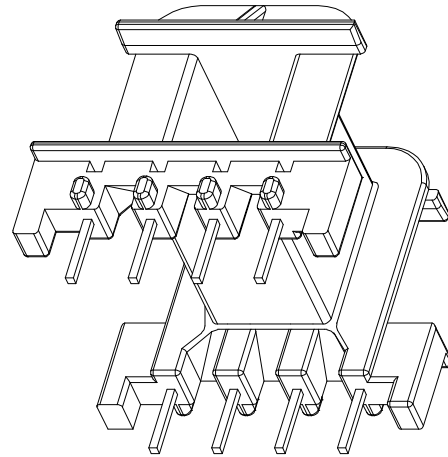
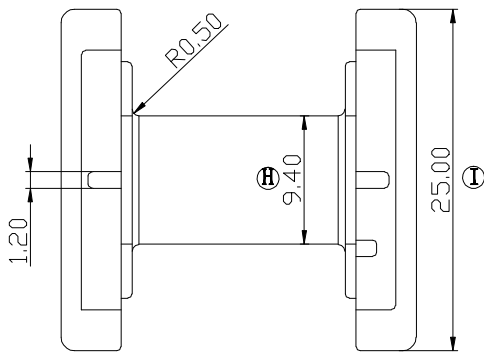



Build up your trust



TITLE: BOBBIN EE-25/11	TOLERANCES		BOBBIN MATERIAL:	UL REC.
DRAWING NO: GS-2522	0<L≤4 ±0.1	PIN PITCH ±0.2	PET FR530 (NC)	UL 94V-0
 建信電子制品有限公司 GEMSTONE ELECTRONIC PRODUCTS CO., LTD.	4<L≤16 ±0.2		PIN MATERIAL:	PIN TENSION LOAD:
	16<L≤63 ±0.3		CP WIRE	1.5KG MIN
ADD: 廣東省東莞市石排鎮石崇大道 TEL: (0769) 86514918, 86514919 FAX: 86514878	UNIT: MM	SCALE: 2/1	ANGLE: ±1°	DATE: 2012/08/01
	DRAWN: XU ZHAN	CHECK: XU ZHAN	REV: A1	APPROVED:

REV.	PORTION.	BEFORE REV.	AFTER REV.