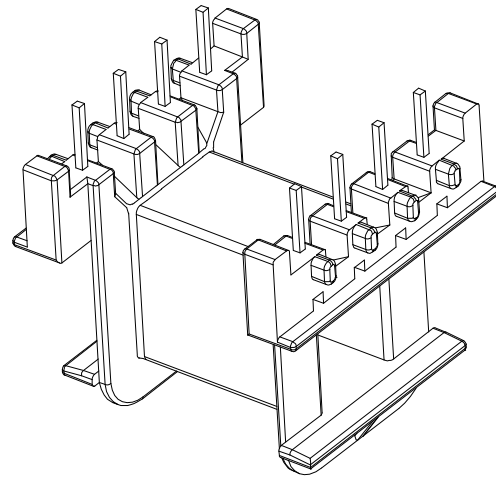
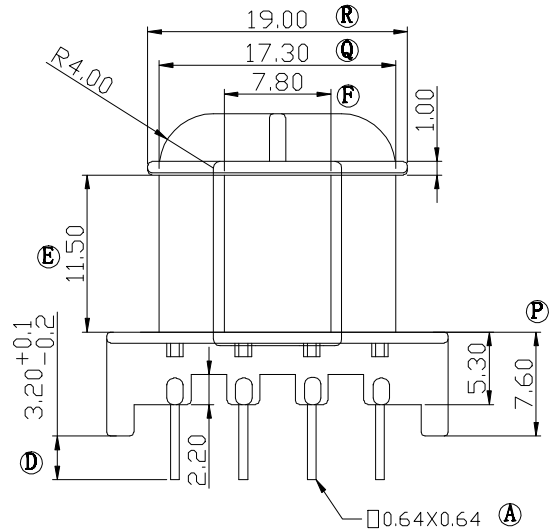
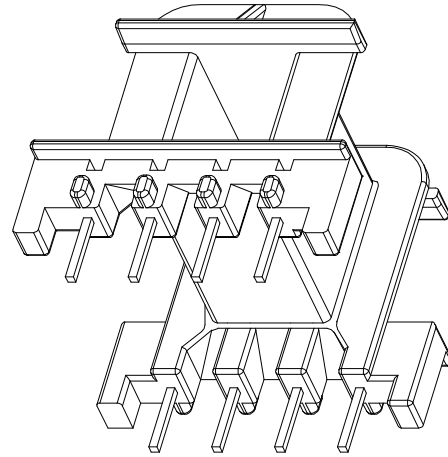
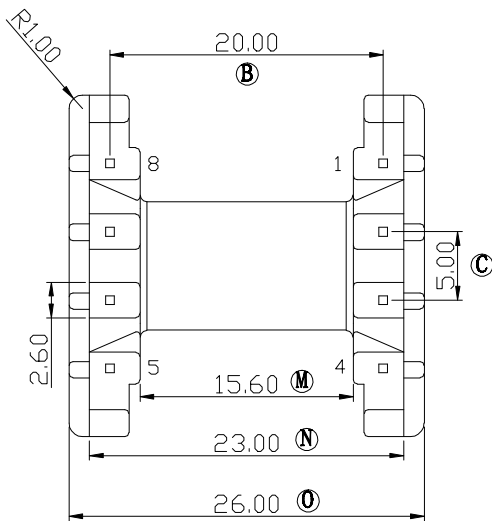
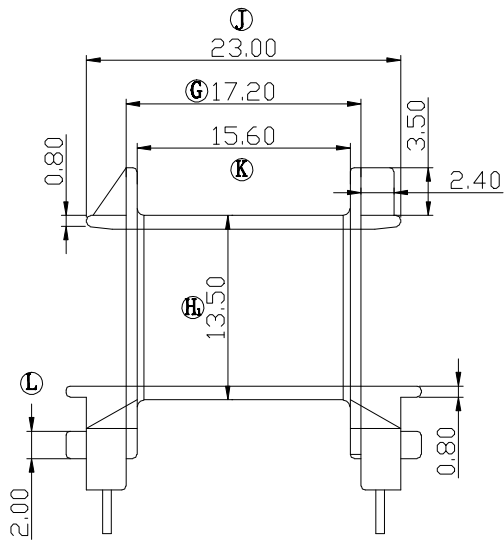
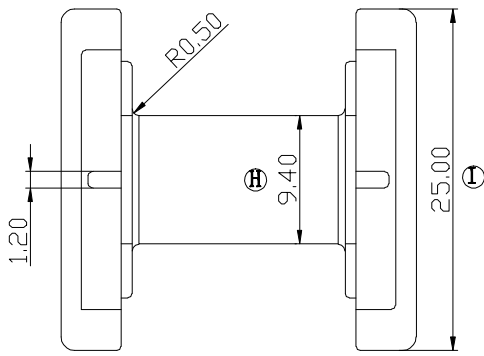



Build up your trust



TITLE:	BOBBIN EE-25/11		TOLERANCES	BOBBIN MATERIAL:	UL REC.
DRAWING NO:	GS-2522-1		0<L≤4 ±0.1 4<L≤16 ±0.2 16<L≤63 ±0.3	PET FR530 (NC)	UL 94V-0
 建信電子制品有限公司 GEMSTONE ELECTRONIC PRODUCTS CO., LTD. ADD: 廣東省東莞市石排鎮石崇大道 TEL: (0769) 86514918, 86514919 FAX: 86514878			PIN PITCH ±0.2	PIN MATERIAL:	PIN TENSION LOAD:
				CP WIRE	1.5KG MIN
UNIT:	SCALE:	ANGLE:	DATE:	REV:	
MM	2/1	±1°	2011/05/25	A2	
DRAWN:	CHECK:	APPROVED:			
HZP	XU ZHAN				

REV.	PORTION.	BEFORE REV.	AFTER REV.