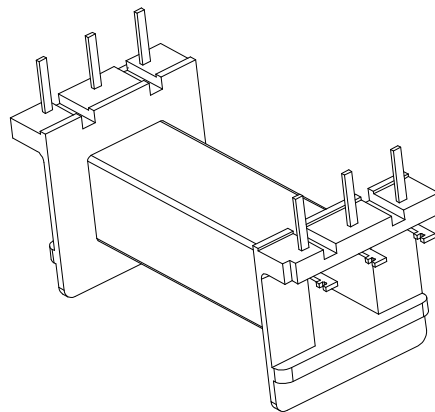
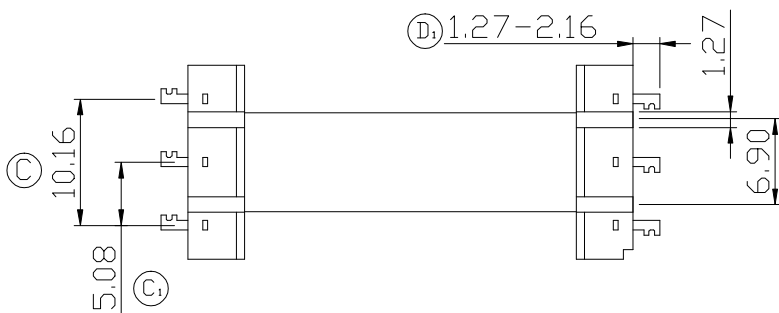
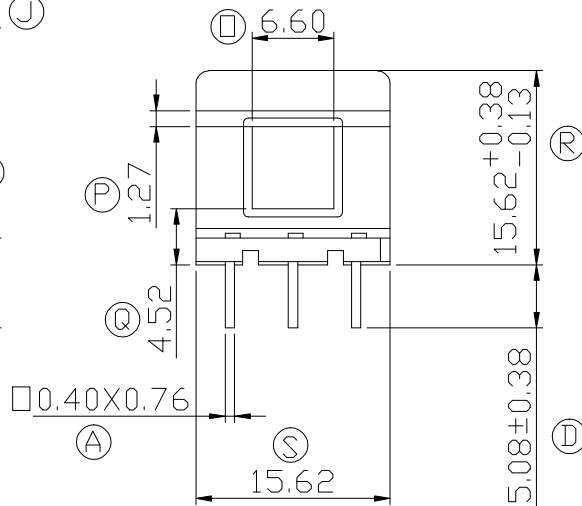
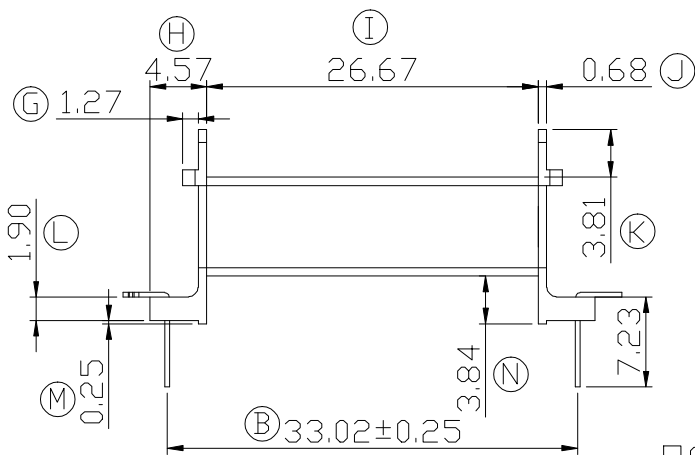
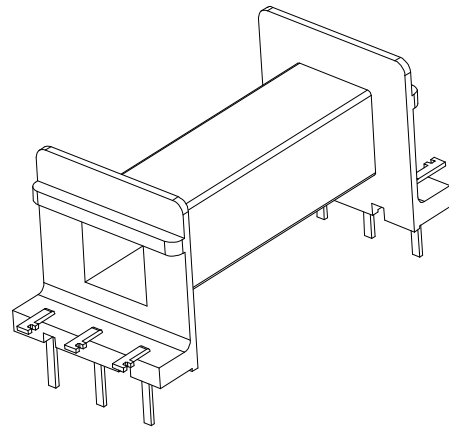
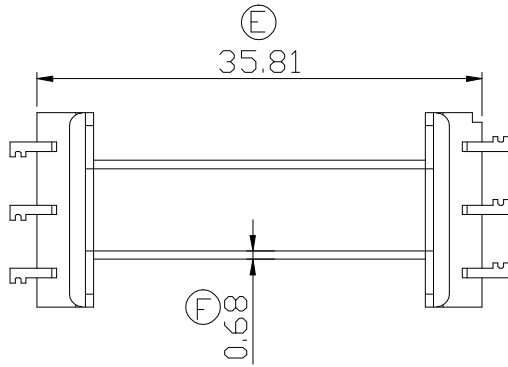



Build up your trust



TITLE:	BOBBIN 250U	TOLERANCES		BOBBIN MATERIAL:	UL REC.
DRAWING NO:	GS-2523 (070-0239)	±0.13	PIN PITCH ±0.2	70G 33L	UL 94HB
 <b>建信電子制品有限公司</b> GEMSTONE ELECTRONIC PRODUCTS CO., LTD. ADD: 廣東省東莞市石排鎮石崇大道 TEL: (0769) 86514918, 86514919 FAX: 86514878	UNIT:	SCALE:	ANGLE:	DATE:	REV:
	MM	2/1	±1°	2006/03/23	A1
	DRAWN:	CHECK:	APPROVED:		
	HZP	XU ZHAN			

REV.	PORTION.	BEFORE REV.	AFTER REV.