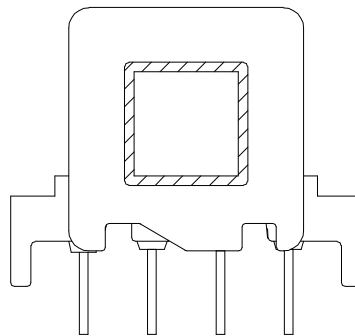
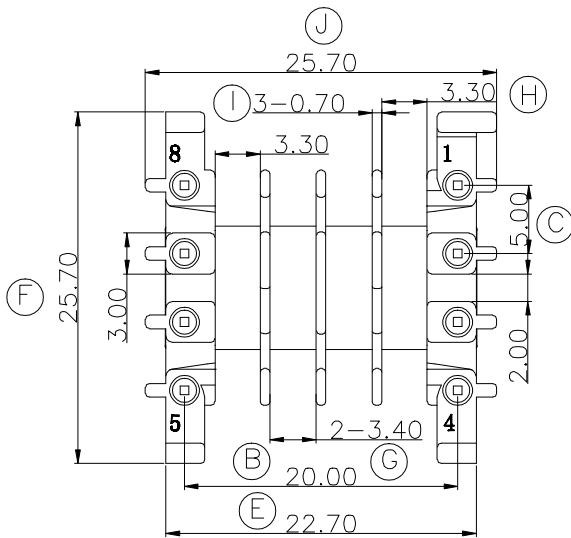
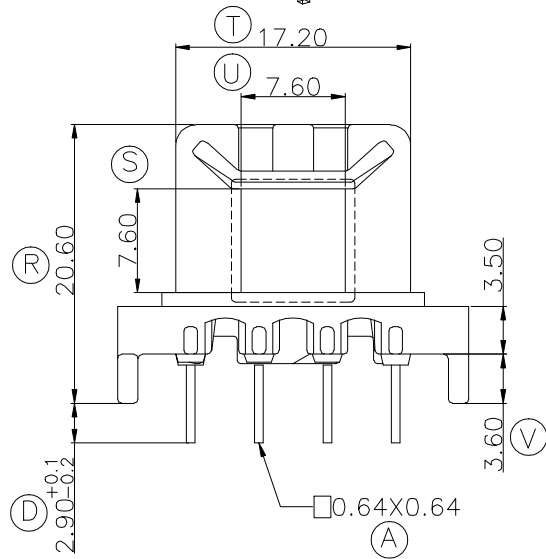
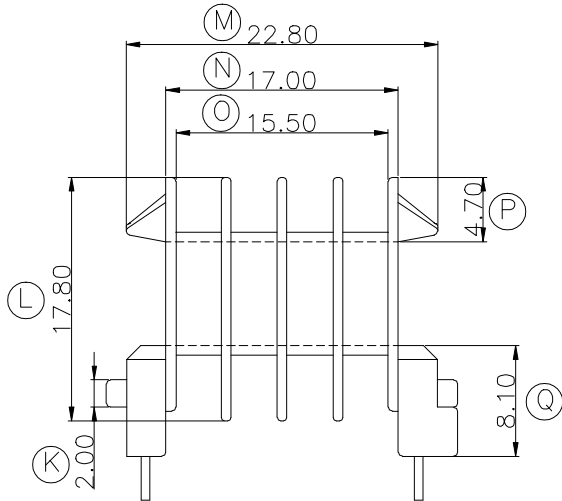
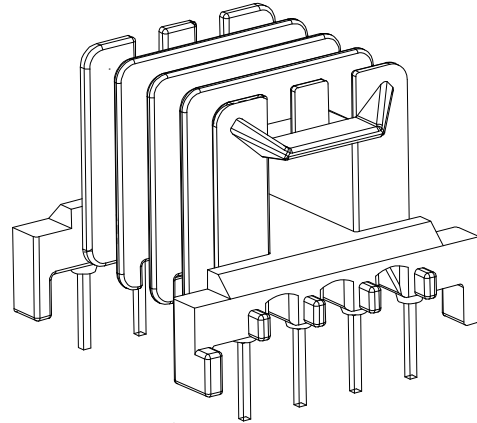
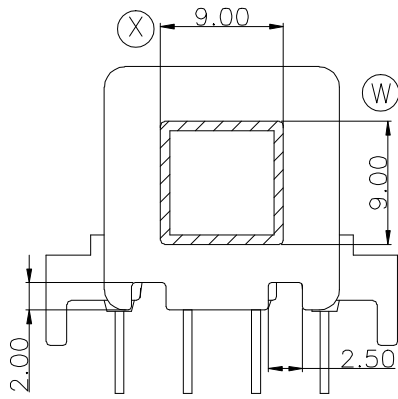


Build up your trust



TITLE: EF-25H 8PIN		TOLERANCES		BOBBIN MATERIAL: PET FR530 (NC)		UL REC. UL 94V-0	
DRAWING NO: GS-2526		0<L≤4 ±0.1	PIN PITCH ±0.2	PIN MATERIAL: CP WIRE		PIN TENSION LOAD: 1.5kg MIN	
		4<L≤16 ±0.2					
		16<L≤63 ±0.3	UNIT: MM	SCALE: 2/1	ANGLE: ±1°	DATE: 2007/11/01	REV: A0
			DRAWN: XU ZHAN		CHECK: XU ZHAN		APPROVED:

GEMSTONE 建信電子制品有限公司
GEMSTONE ELECTRONIC PRODUCTS CO., LTD.

ADD: 廣東省東莞市石排鎮石崇大道
TEL: (0769) 86514918, 86514919 FAX: 86514878

REV.	PORTION.	BEFORE REV.	AFTER REV.