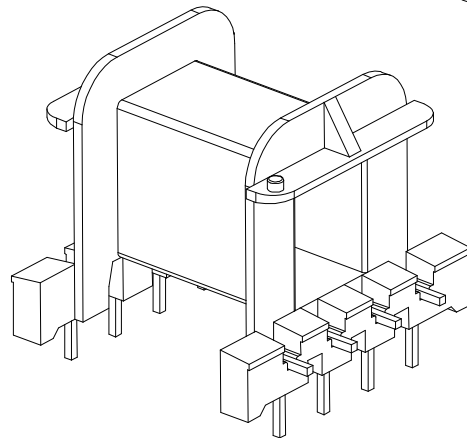
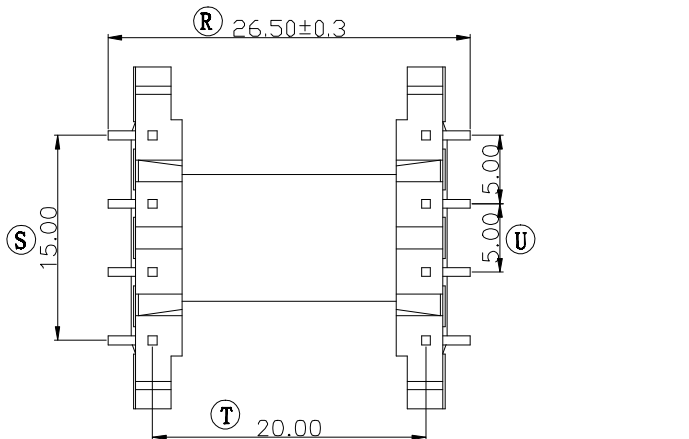
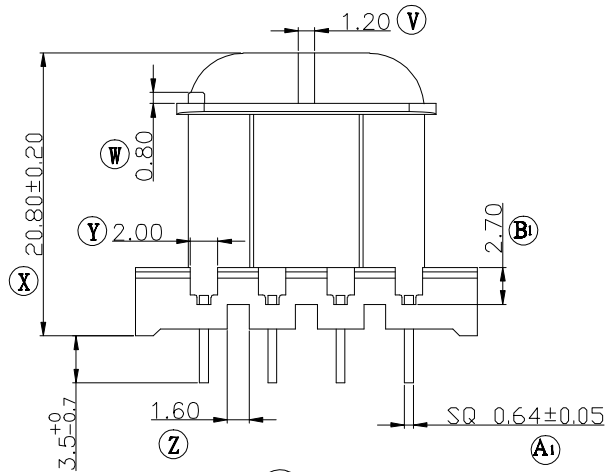
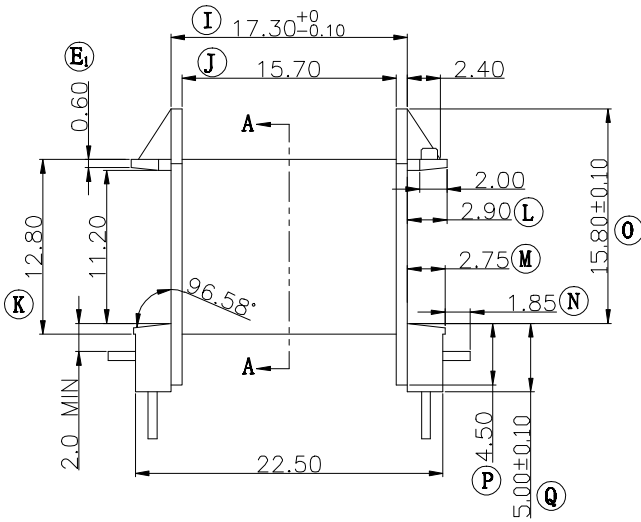
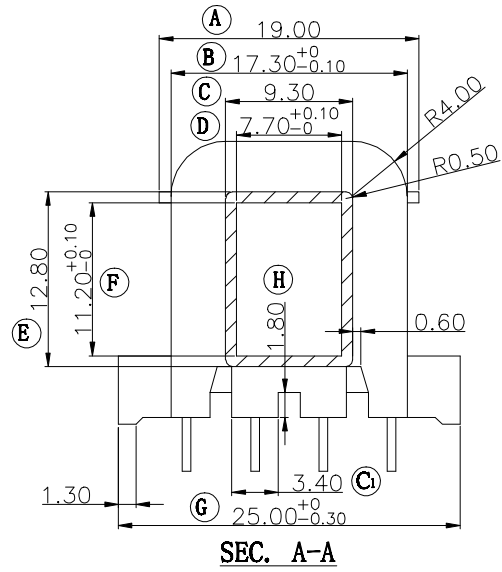
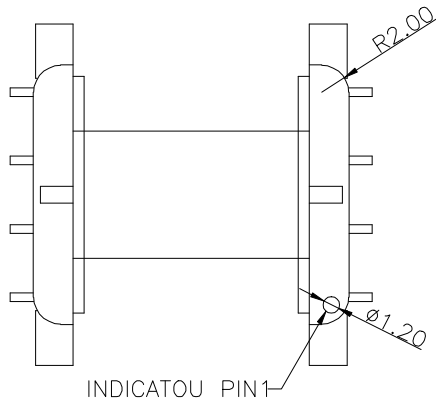


Build up your trust



TITLE: BOBBIN EF-2511 8PIN		TOLERANCES		BOBBIN MATERIAL: PA66 6410G5(BK)		UL REC. UL 94V-0	
DRAWING NO: GS-2527 (044-2508-HDXX)		$0^{+0.08}$ $1^{+0.09}$ $3^{+0.10}$ $6^{+0.11}$	$10^{+0.13}$ $15^{+0.15}$ $22^{+0.17}$	PIN PITCH ± 0.2	PIN MATERIAL: CP WIRE		PIN TENSION LOAD: 1.0kg MIN
建信電子制品有限公司 GEMSTONE ELECTRONIC PRODUCTS CO., LTD. ADD: 廣東省東莞市石排鎮石崇大道 TEL: (0769) 86514918, 86514919 FAX: 86514878	UNIT: MM	SCALE: 2/1		ANGLE: $\pm 0.5^\circ$	DATE: 2009/12/09	REV: A2	
	DRAWN: XU ZHAN		CHECK: XU ZHAN		APPROVED:		

REV.	PORTION.	BEFORE REV.	AFTER REV.