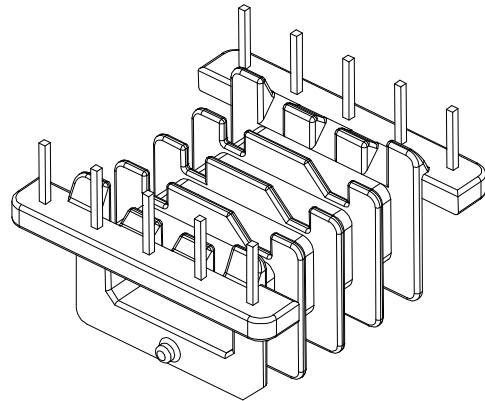
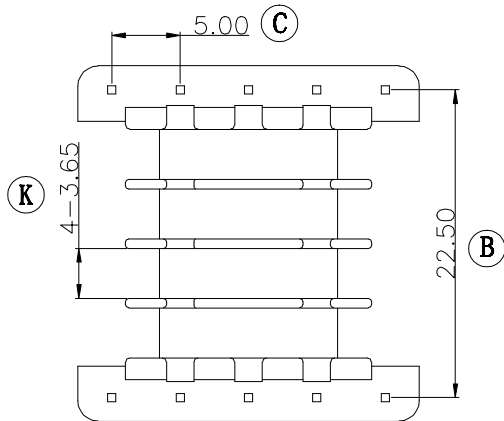
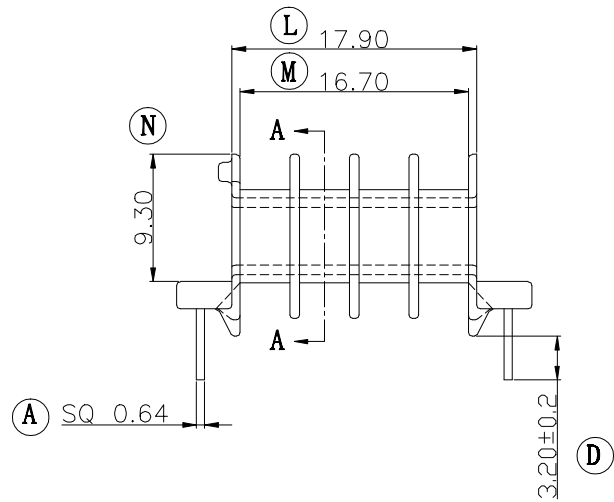
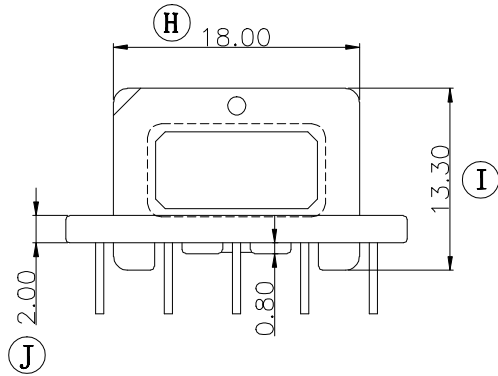
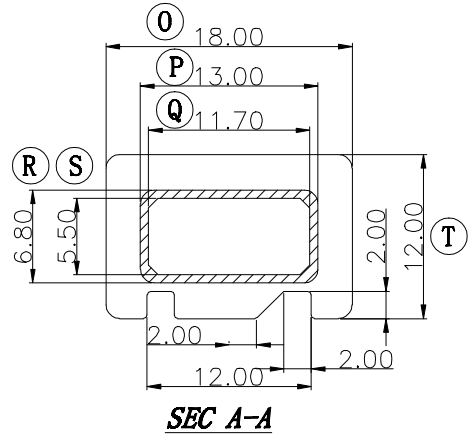
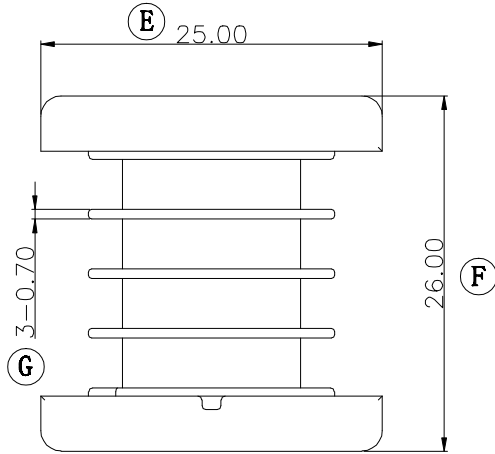


Build up your trust



TITLE: BOBBIN EFD-25 10PIN

DRAWING NO: GS-2528

GEMSTONE 建信電子制品有限公司
GEMSTONE ELECTRONIC PRODUCTS CO., LTD.

ADD: 廣東省東莞市石排鎮石崇大道
TEL: (0769) 86514918, 86514919 FAX: 86514878

TOLERANCES		BOBBIN MATERIAL:	UL REC.
0<L≤4 ±0.1	PIN PITCH ±0.2	PM9820	UL 94V-0
4<L≤16 ±0.2		PIN MATERIAL:	PIN TENSION LOAD:
16<L≤63 ±0.3		CP WIRE	1.5kg MIN
UNIT: MM	SCALE: 2/1	ANGLE: ±1°	DATE: 2010/07/13
DRAWN: XU ZHAN		CHECK: XU ZHAN	REV: A1
		APPROVED:	

REV.	PORTION.	BEFORE REV.	AFTER REV.