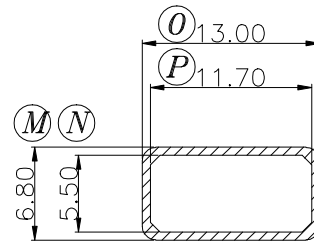
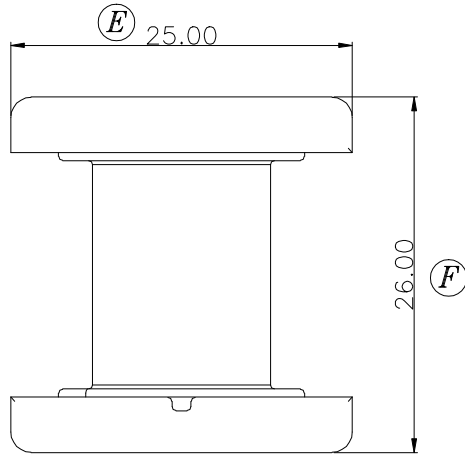
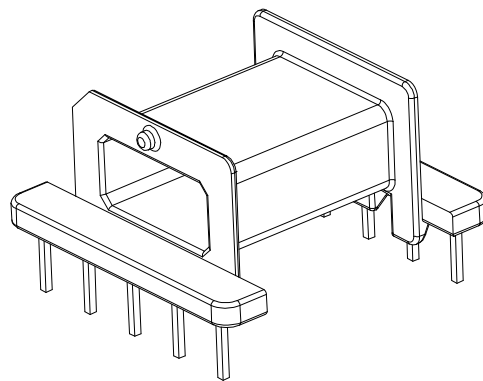
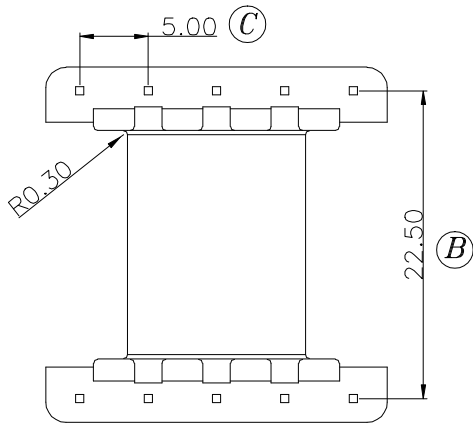
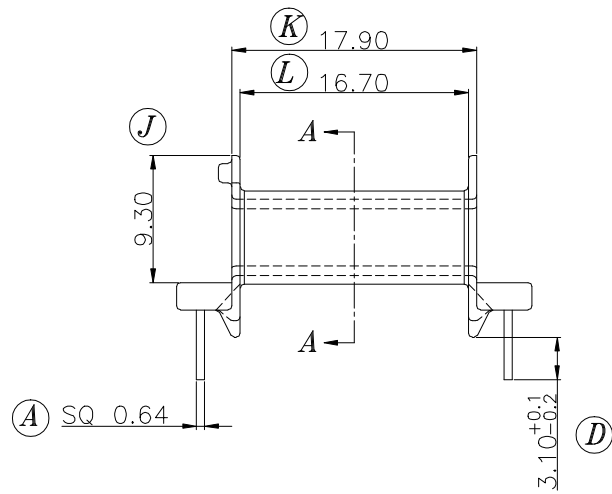
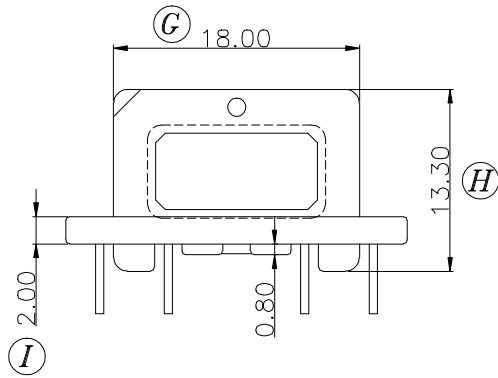



Build up your trust



SEC A-A



TITLE: BOBBIN EFD-25 10PIN		TOLERANCES		BOBBIN MATERIAL: PM9820		UL REC. UL 94V-0		
DRAWING NO: GS-2528-4		0<L≤4 ±0.1	PIN PITCH ±0.2	PIN MATERIAL: CP WIRE		PIN TENSION LOAD: 1.5kg MIN		
 建信電子制品有限公司 GEMSTONE ELECTRONIC PRODUCTS CO., LTD. ADD: 廣東省東莞市石排鎮石崇大道 TEL: (0769) 86514918, 86514919 FAX: 86514878		4<L≤16 ±0.2		UNIT: MM	SCALE: 2/1	ANGLE: ±1°	DATE: 2010/01/12	REV: A0
		16<L≤63 ±0.3	DRAWN: XU ZHAN		CHECK: XU ZHAN		APPROVED:	

REV.	PORTION.	BEFORE REV.	AFTER REV.