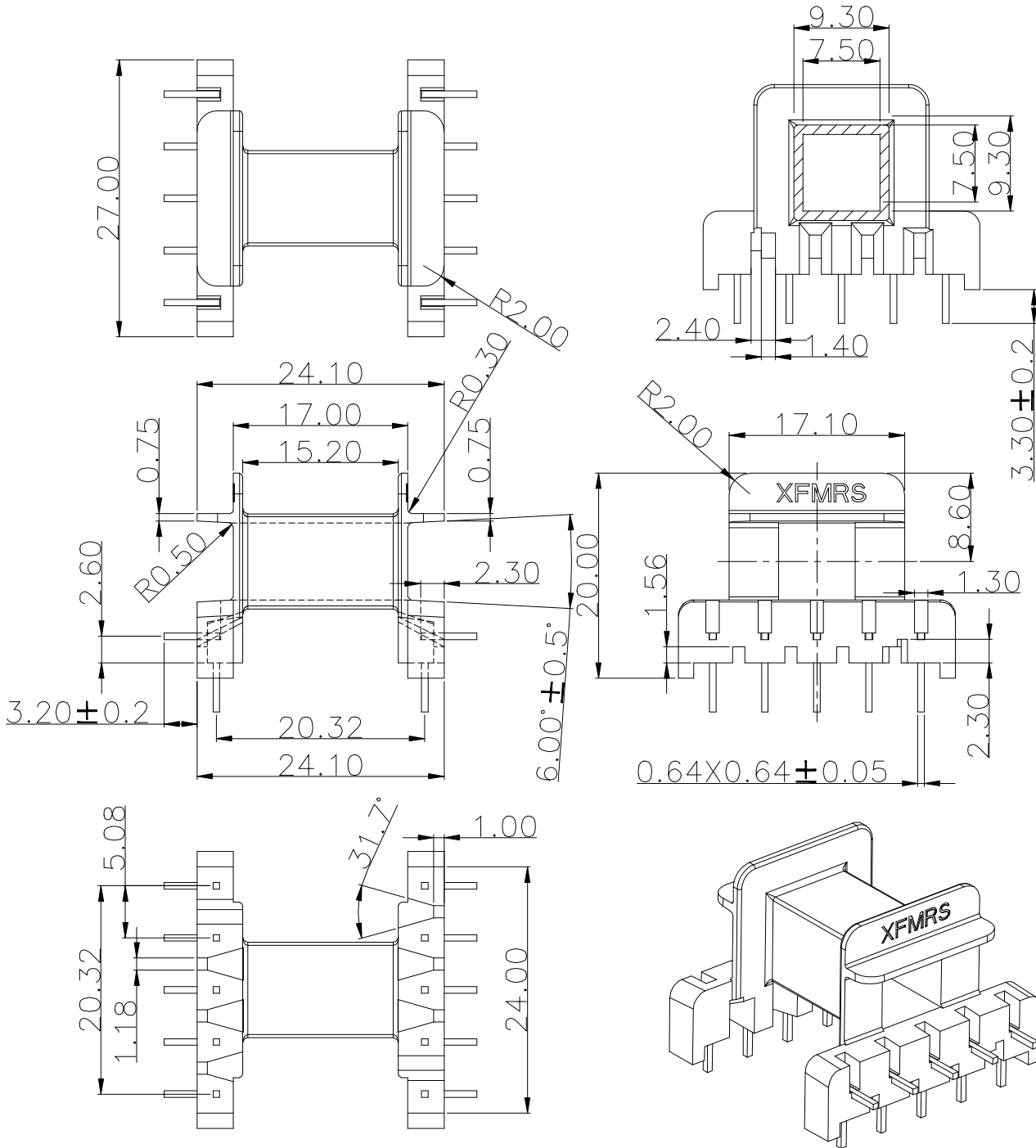


Build up your trust



注:

1. 針尖需完全上錫, 無銹化, 氧化等不良;
2. 針腳推力必須達到: 1.5kg MIN;

3. 四個STANDOFFS整體平整度不得超過0.1mm;
4. PIN腳電鍍要求: 錫層厚度0.6um MIN.

TITLE: **BOBBIN EF-25 10PIN**

DRAWING NO: **GS-2531**

TOLERANCES

0<L≤4 ±0.1  
4<L≤16 ±0.15  
16<L≤63 ±0.20

PIN PITCH  
±0.2

BOBBIN MATERIAL:  
PET FR530 (BK)

PIN MATERIAL:  
CP WIRE

UL REC.  
UL 94V-0

PIN TENSION LOAD:  
1.5Kg MIN

**GEMSTONE** 建信電子制品有限公司  
GEMSTONE ELECTRONIC PRODUCTS CO., LTD.

ADD: 廣東省東莞市石排鎮石崇大道  
TEL: (0769) 86514918, 86514919 FAX: 86514878

UNIT: MM SCALE: 2/1

ANGLE: ±1° DATE: 2011/09/08

REV: A1

DRAWN: XU ZHAN

CHECK:

APPROVED: XU ZHAN

BEFORE REV.

AFTER REV.