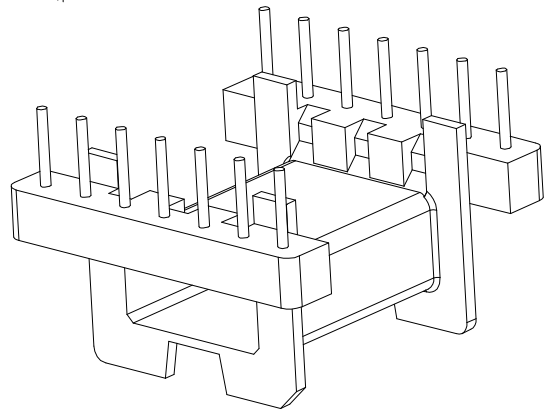
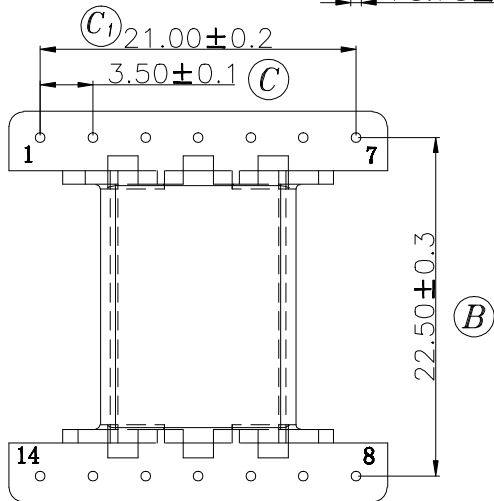
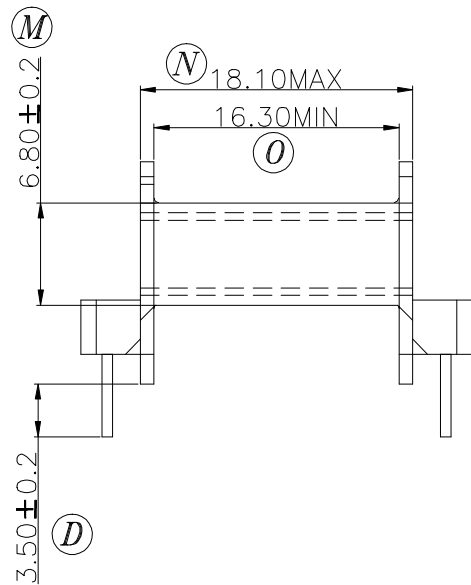
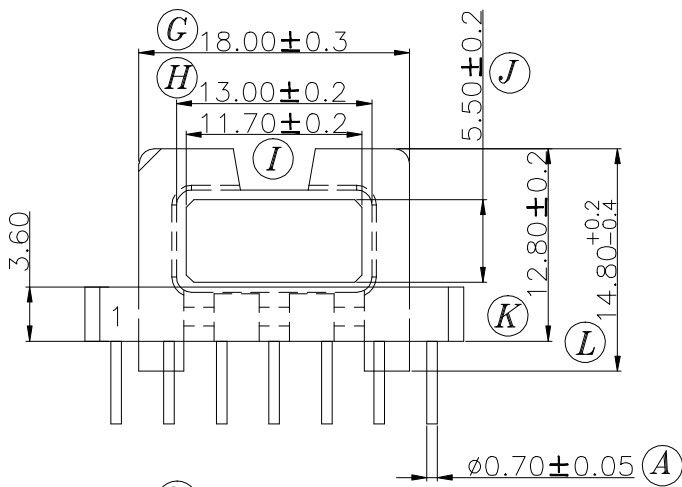
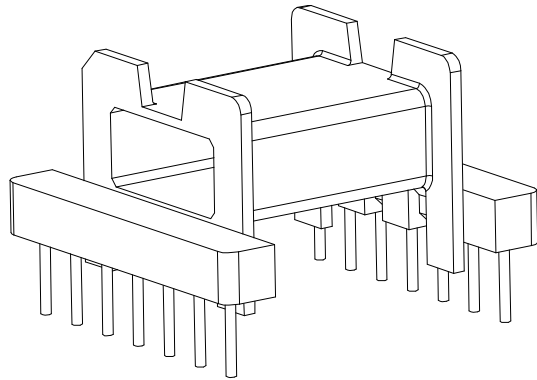
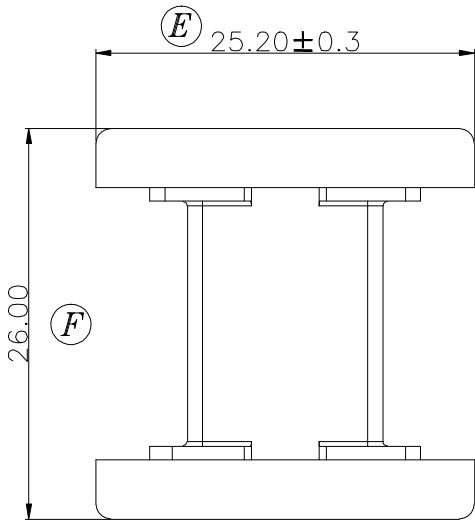


Build up your trust



TITLE: BOBBIN EFD-25 14PIN

DRAWING NO: GS-2538

TOLERANCES

$0 < L \leq 4 \pm 0.10$
 $4 < L \leq 16 \pm 0.20$
 $16 < L \leq 63 \pm 0.30$

PIN PITCH
 ± 0.2

BOBBIN MATERIAL:
PM9820

PIN MATERIAL:
CP WIRE

UL REC.
UL 94V-0

PIN TENSION LOAD:
1.2kg MIN



建信電子制品有限公司
GEMSTONE ELECTRONIC PRODUCTS CO., LTD.

UNIT:
MM

SCALE:
2/1

ANGLE:
 $\pm 1^\circ$

DATE:
2011/12/23

REV:
A0

ADD: 廣東省東莞市石排鎮石崇大道
TEL: (0769) 86514918, 86514919 FAX: 86514878

DRAWN:
QIU

CHECK:
XU ZHAN

APPROVED:

| REV. | PORTION. | BEFORE REV. | AFTER REV. |
|------|----------|-------------|------------|
| | | | |
| | | | |
| | | | |