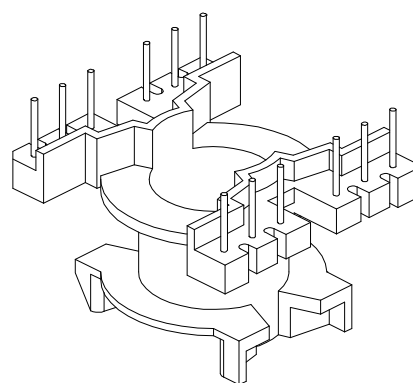
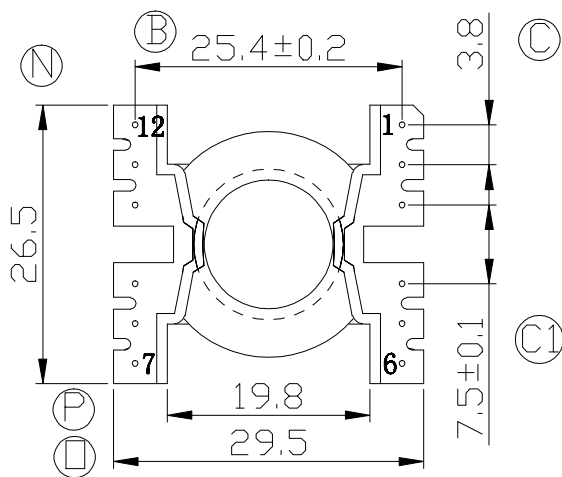
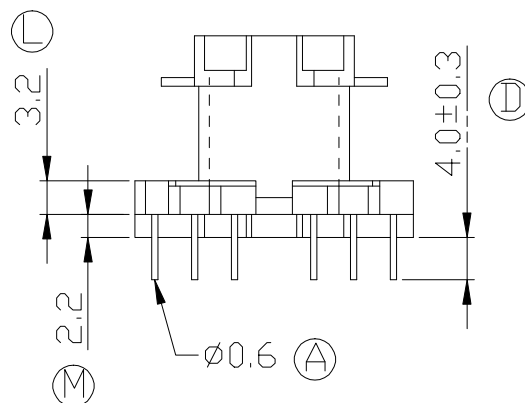
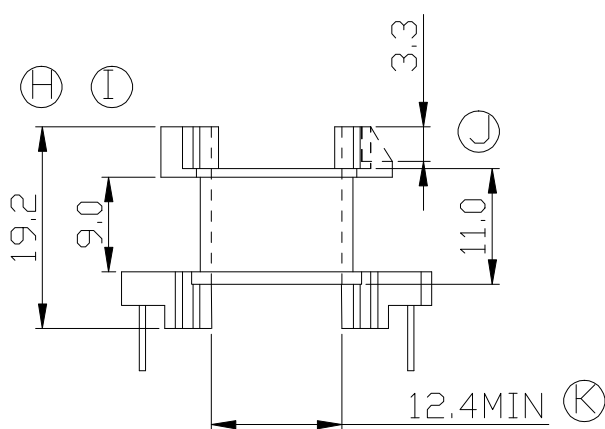
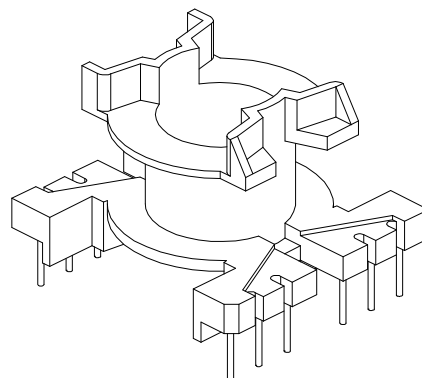
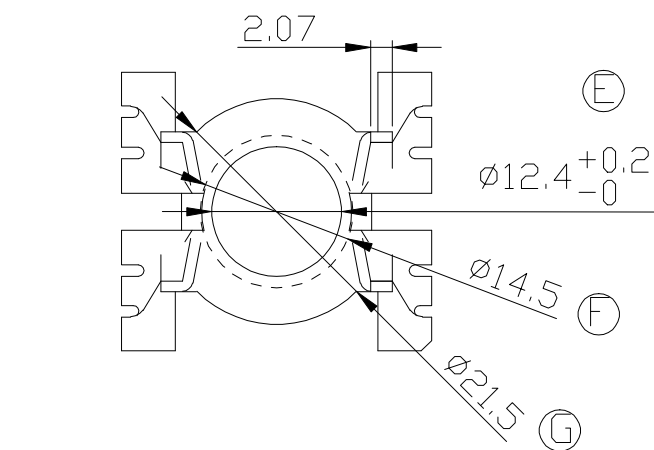



Build up your trust



TITLE:	PQ2620 12PIN		TOLERANCES		BOBBIN MATERIAL: PHENOLIC PM9820		UL REC. UL 94V-0	
DRAWING NO:	GS-2601		0<L≤4 ±0.1	PIN PITCH ±0.2	PIN MATERIAL: CP WIRE		PIN TENSION LOAD: 1.0KG MIN	
 <b>建信電子制品有限公司</b> GEMSTONE ELECTRONIC PRODUCTS CO.,LTD. ADD: 廣東省東莞市石排鎮石崇大道 TEL: (0769) 86514918, 86514919 FAX: 86514878			4<L≤16 ±0.2		UNIT: MM	SCALE: 1.5/1	ANGLE: ±1°	DATE: 2010/8/4
			16<L≤63 ±0.3	DRAWN:		CHECK:		APPROVED:
			XU ZHAN		DAVID			

REV.	PORTION.	BEFORE REV.	AFTER REV.