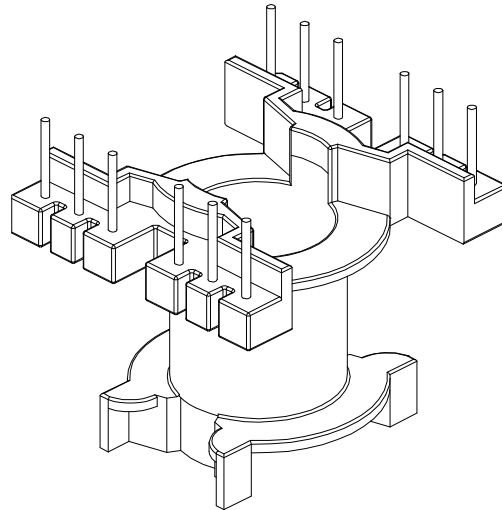
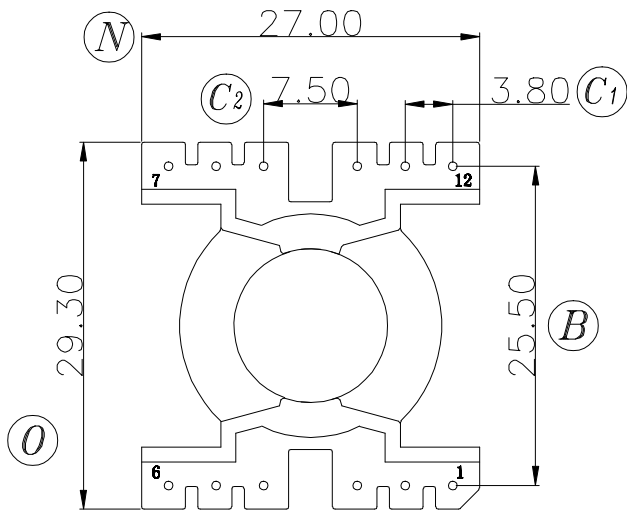
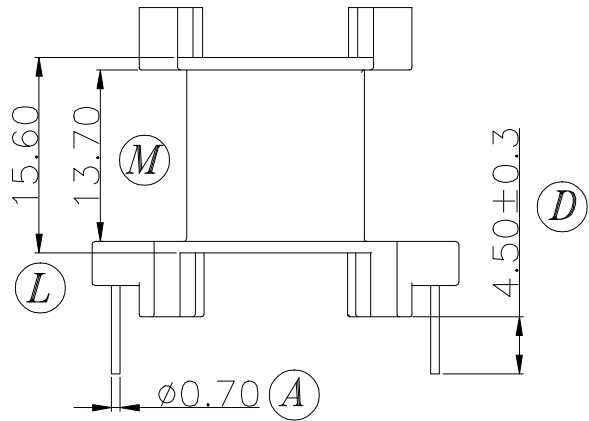
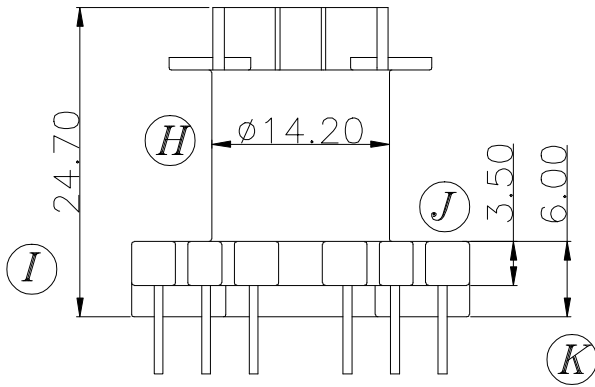
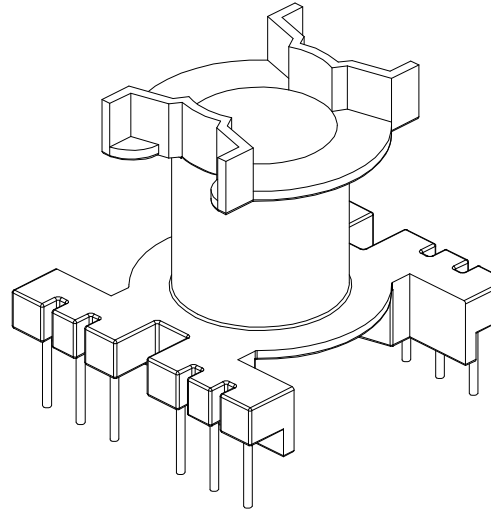
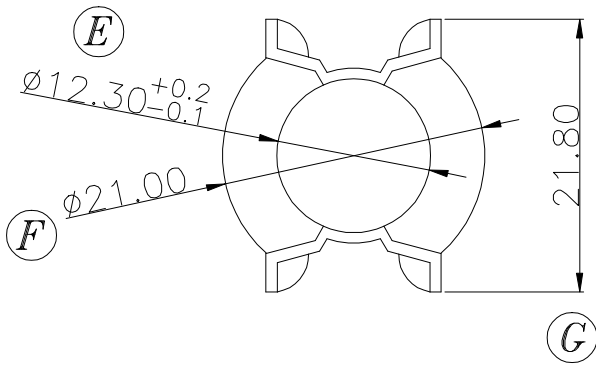


Build up your trust



TITLE: **BOBBIN PQ26\*25 12PIN**

DRAWING NO: **GS-2602**

TOLERANCES

0<math>L \le 4 \pm 0.1</math>  
4<math>L \le 16 \pm 0.2</math>  
16<math>L \le 63 \pm 0.3</math>

PIN PITCH  
 $\pm 0.2$

BOBBIN MATERIAL:  
PM9820

PIN MATERIAL:  
CP WIRE

UL REC.  
UL 94V-0

PIN TENSION LOAD:  
1.0Kg MIN

**GEMSTONE** 建信電子制品有限公司  
GEMSTONE ELECTRONIC PRODUCTS CO., LTD.

ADD: 廣東省東莞市石排鎮石崇大道  
TEL: (0769) 86514918, 86514919 FAX: 86514878

UNIT: MM

SCALE: 2/1

ANGLE:  $\pm 1^\circ$

DATE: 2008/09/16

REV: A0

DRAWN: XU ZHAN

CHECK: XU ZHAN

APPROVED:

BEFORE REV.

AFTER REV.