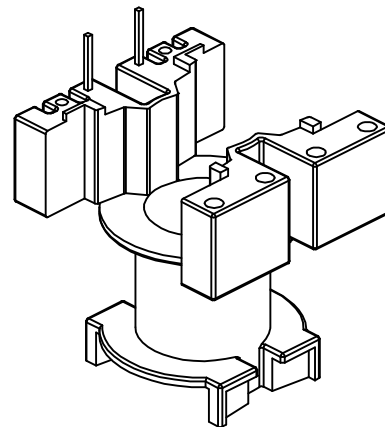
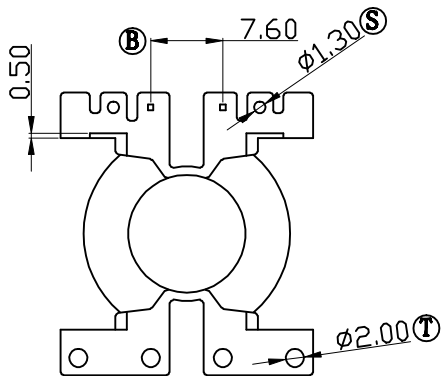
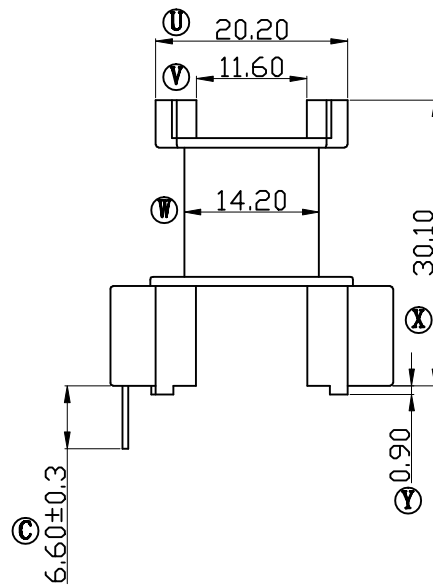
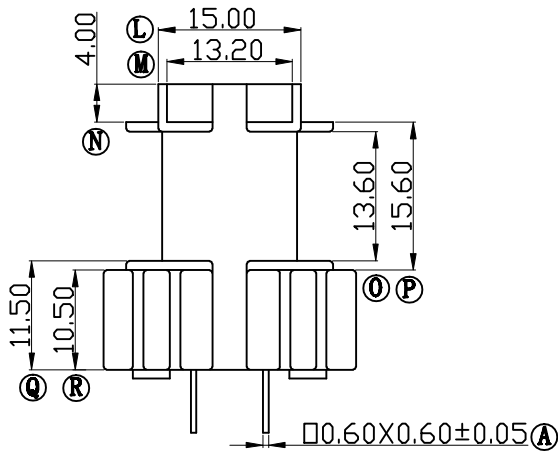
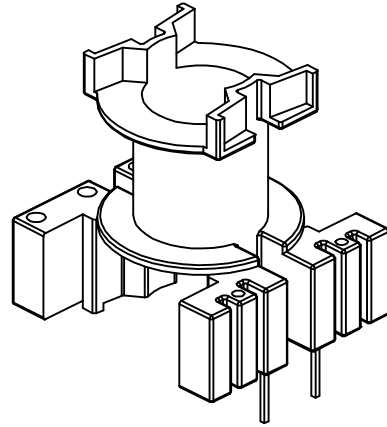
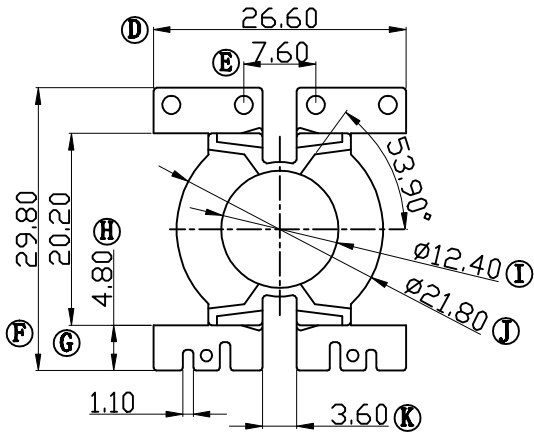


Build up your trust



TITLE: BOBBIN PQ2625

DRAWING NO: 10009722 (GS-2603)



建信電子制品有限公司

GEMSTONE ELECTRONIC PRODUCTS CO., LTD.

ADD: 廣東省東莞市石排鎮石崇大道

TEL: (0769) 86514918, 86514919 FAX: 86514878

TOLERANCES

0<L≤4 ±0.1
4<L≤16 ±0.2
16<L≤63 ±0.3
ANGLE ±1.0°

PIN PITCH
±0.2

BOBBIN MATERIAL:
PM9630 BK

PIN MATERIAL:
PHOSPHOR BRONZE

UL REC.
UL 94V-0

PIN TENSION LOAD:
1.2Kg MIN

UNIT:
MM

SCALE:
2/1

ANGLE:
±1°

DATE:
2009/12/31

REV:
A0

DRAWN:
L. W

CHECK:
XU ZHAN

APPROVED:

BEFORE REV.

AFTER REV.