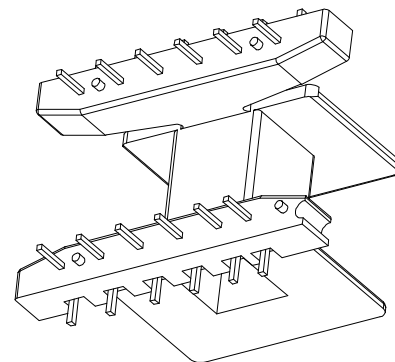
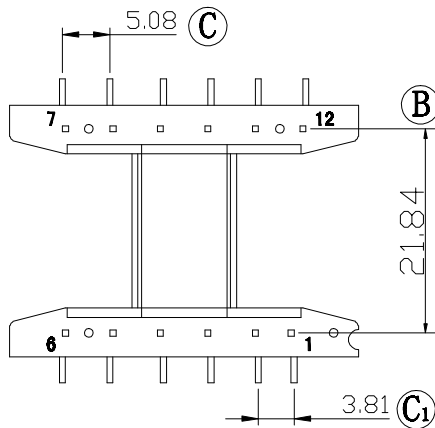
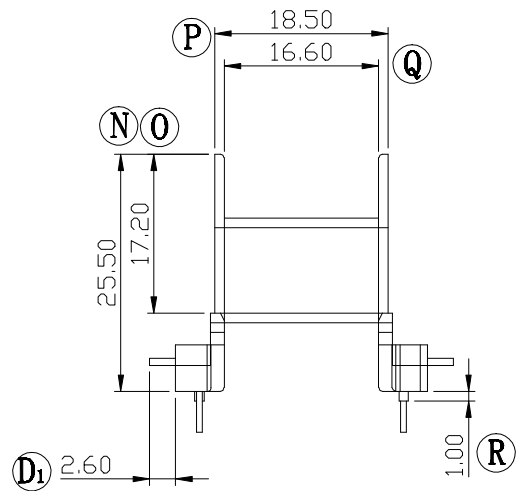
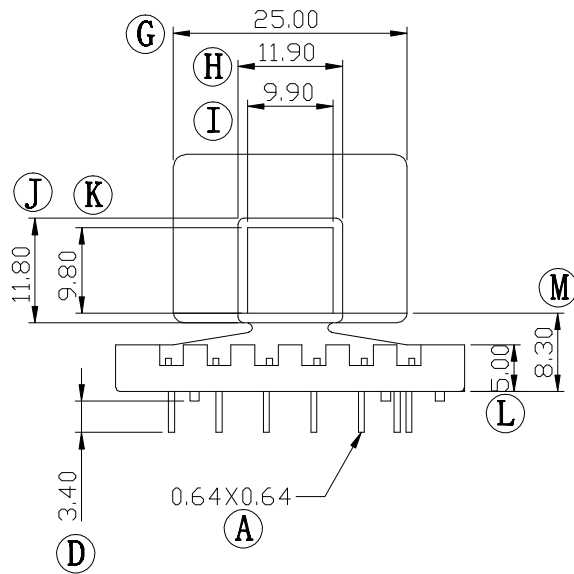
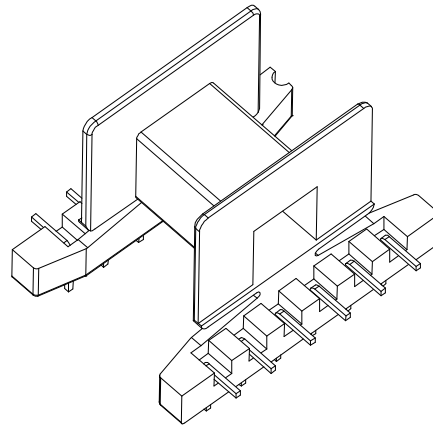
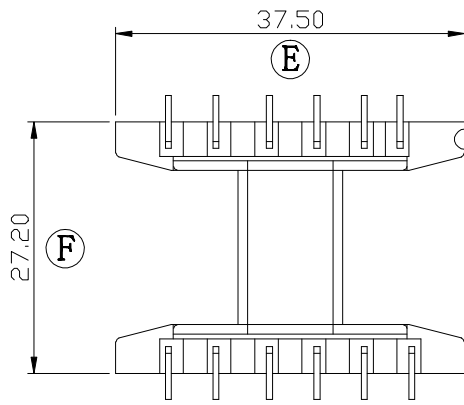



Build up your trust



注: BOBBIN材质:旭化成 1300G UL94HB

TITLE:	BASE-EEH3425-12P-JX		TOLERANCES	BOBBIN MATERIAL:	UL REC.
DRAWING NO:	GS-3403		0<L ≤ 4 ±0.1 4<L ≤ 16 ±0.2 16<L ≤ 63 ±0.3	NYLON 6/6 30% GLASS FILLED	UL 94HB
 建信電子制品有限公司 GEMSTONE ELECTRONIC PRODUCTS CO., LTD. ADD: 廣東省東莞市石排鎮石崇大道 TEL: (0769) 86514918, 86514919 FAX: 86514878	UNIT:	SCALE:	PIN PITCH	PIN MATERIAL:	PIN TENSION LOAD:
	MM	1/1	±0.2	CP WIRE	1.2KG MIN
	DRAWN:	CHECK:	ANGLE:	DATE:	REV:
	LI CHENGDA	XU ZHAN	±1°	2005/10/08	A0
					APPROVED:

REV.	PORTION.	BEFORE REV.	AFTER REV.