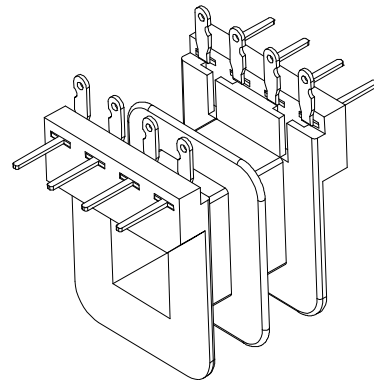
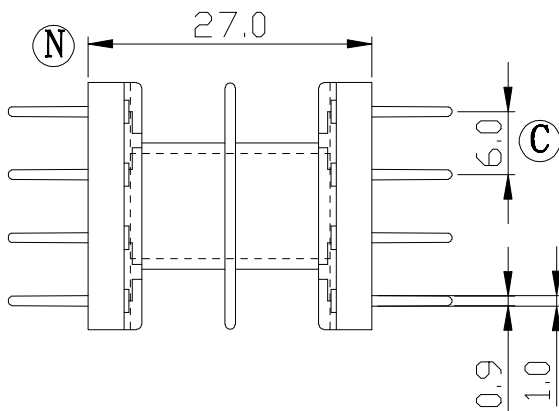
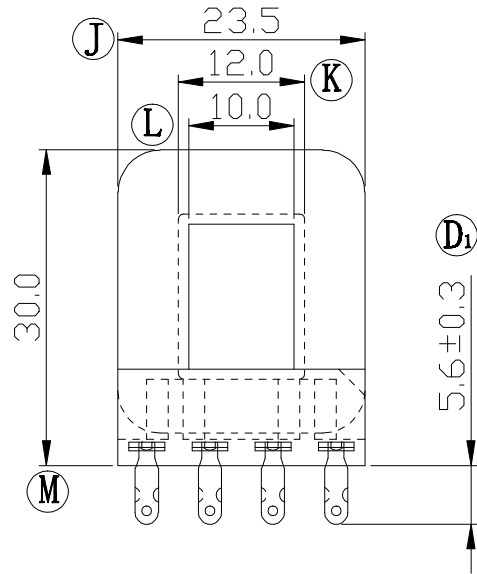
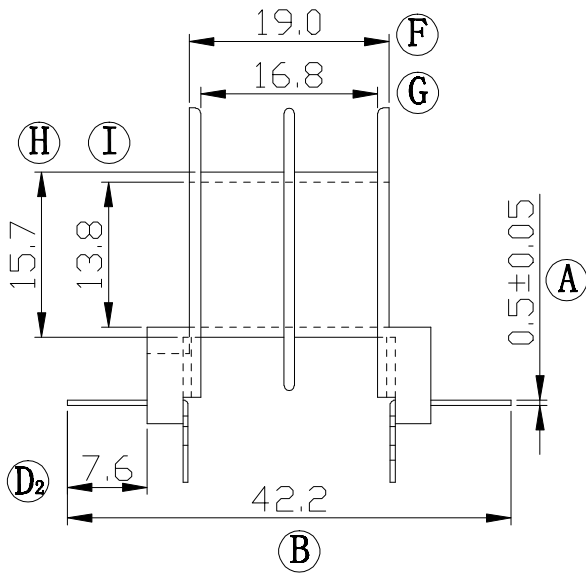
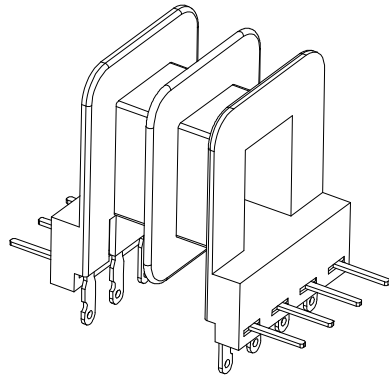
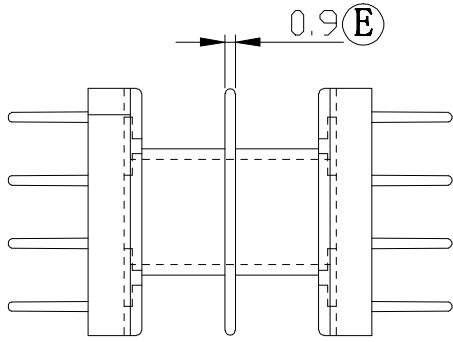



Build up your trust



TITLE:	EI-35 8PIN		TOLERANCES	BOBBIN MATERIAL:	UL REC.
DRAWING NO:	GS-3508		$0 < L \leq 4 \pm 0.1$ $4 < L \leq 16 \pm 0.2$ $16 < L \leq 63 \pm 0.3$	PBT	UL 94V-0
 建信電子制品有限公司 GEMSTONE ELECTRONIC PRODUCTS CO., LTD.			UNIT:	SCALE:	ANGLE:
			MM	1.5/1	$\pm 1^\circ$
ADD: 廣東省東莞市石排鎮石崇大道 TEL: (0769) 86514918, 86514919 FAX: 86514878			DRAWN:	CHECK:	DATE:
			LW	XU ZHAN	2009/12/03
					REV:
					A1
					APPROVED:

REV.	PORTION.	BEFORE REV.	AFTER REV.