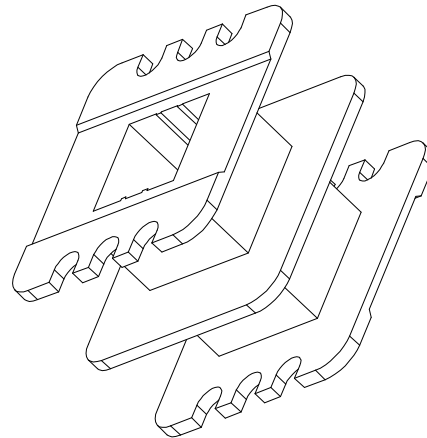
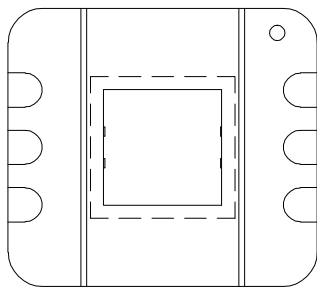
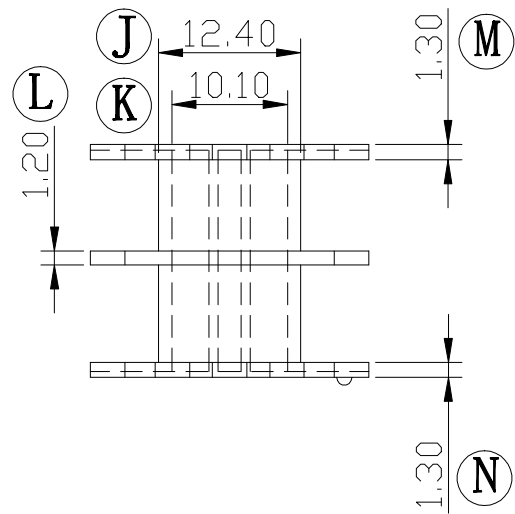
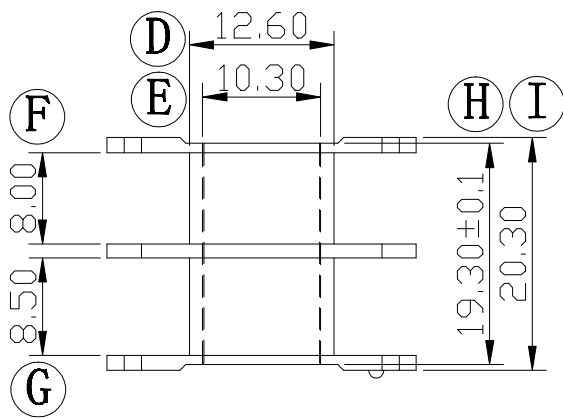
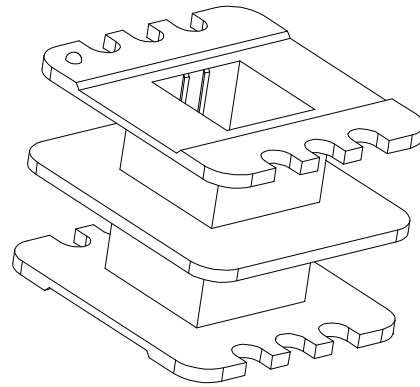
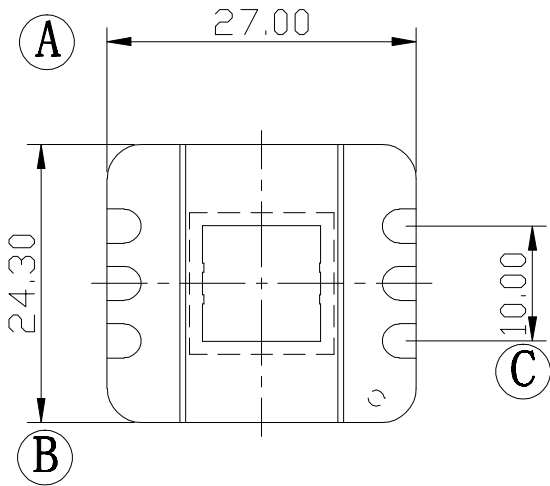



Build up your trust



TITLE:	EI-35*10	TOLERANCES		BOBBIN MATERIAL:	UL REC.	
DRAWING NO:	GS-3509	0 $L \le 4$ ±0.1	PIN PITCH ±0.2	NYLON 6/6 30G	94V-2	
 建信電子制品有限公司 GEMSTONE ELECTRONIC PRODUCTS CO., LTD.		4 $L \le 16$ ±0.2		PIN MATERIAL:	PIN TENSION LOAD:	
		16 $L \le 63$ ±0.3		ANGLE:	DATE:	REV:
ADD: 廣東省東莞市石排鎮石崇大道 TEL: (0769) 86514918, 86514919 FAX: 86514878		UNIT:	SCALE:	±1°	2005/8/10	A0
		MM	1/1	DRAWN:	CHECK:	APPROVED:
		LI CHENGDA		XU ZHAN		

REV.	PORTION.	BEFORE REV.	AFTER REV.