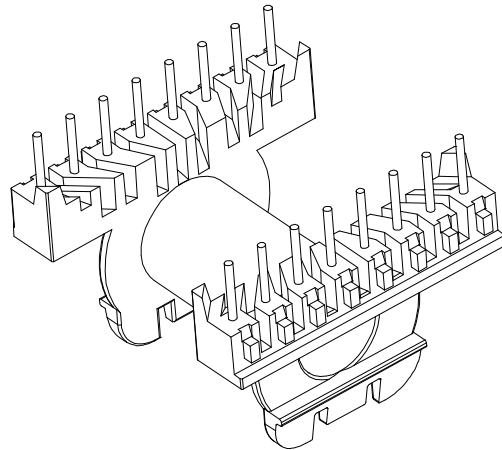
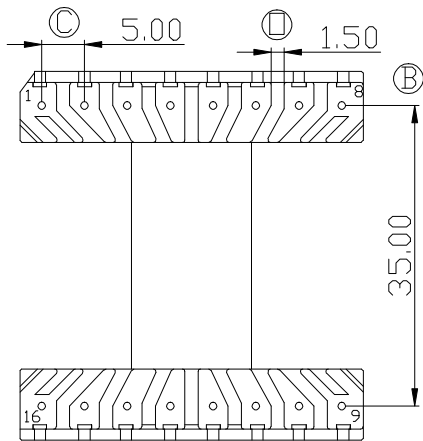
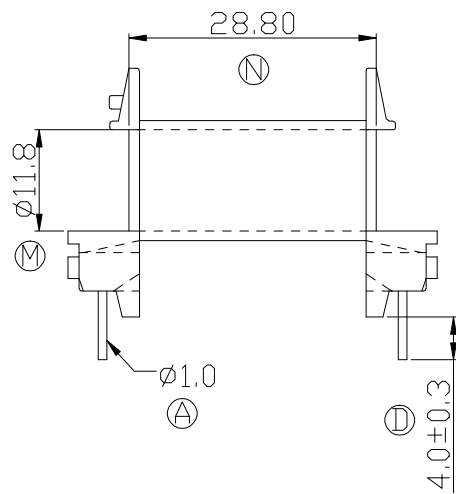
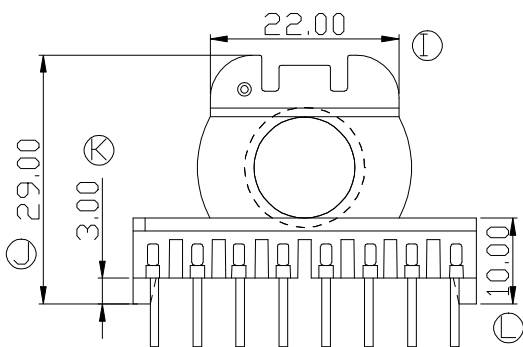
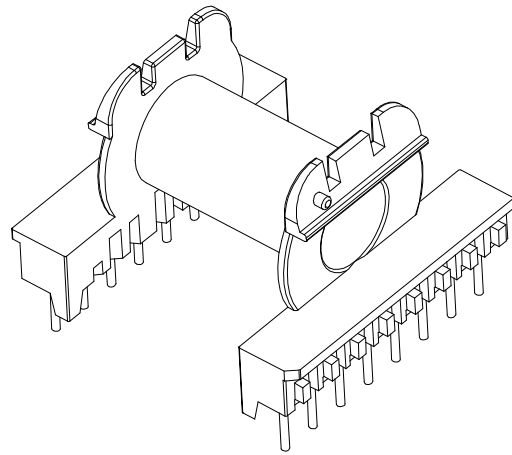
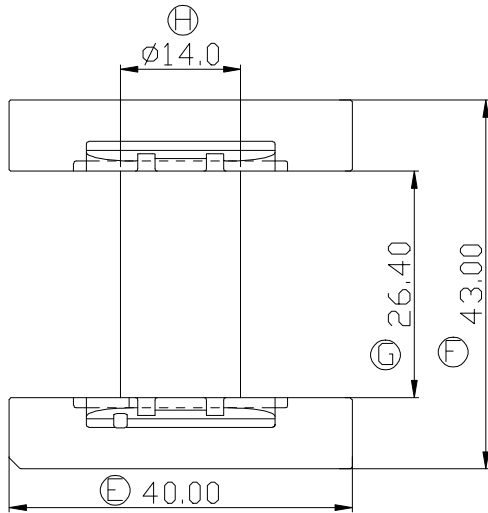



Build up your trust



TITLE: BOBBIN EER-35H	TOLERANCES		BOBBIN MATERIAL: T375HF	UL REC. UL 94V-0		
	0<L≤4 ±0.1	PIN PITCH ±0.2		PIN MATERIAL: CP WIRE	PIN TENSION LOAD: 2.0KG MIN	
DRAWING NO: GS-3510	4<L≤16 ±0.2		UNIT: MM		SCALE: 1/1	ANGLE: ±1°
 建信電子制品有限公司 GEMSTONE ELECTRONIC PRODUCTS CO., LTD. ADD: 廣東省東莞市石排鎮石崇大道 TEL: (0769) 86514918, 86514919 FAX: 86514878	16<L≤63 ±0.3	DRAWN: HZP		CHECK: XU ZHAN		

REV.	PORTION.	BEFORE REV.	AFTER REV.