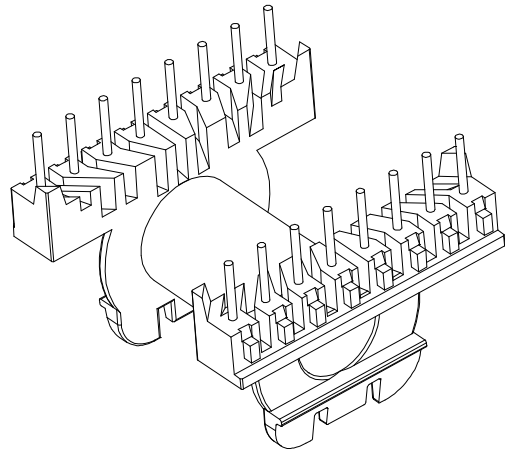
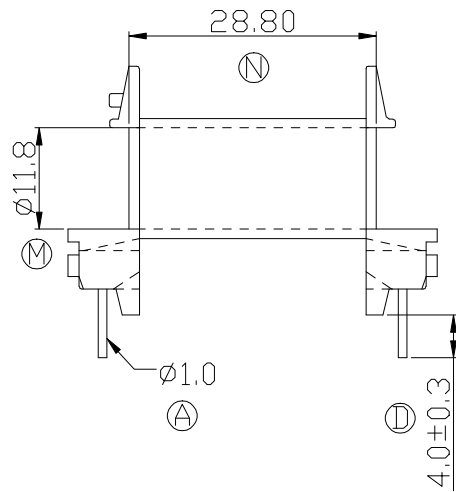
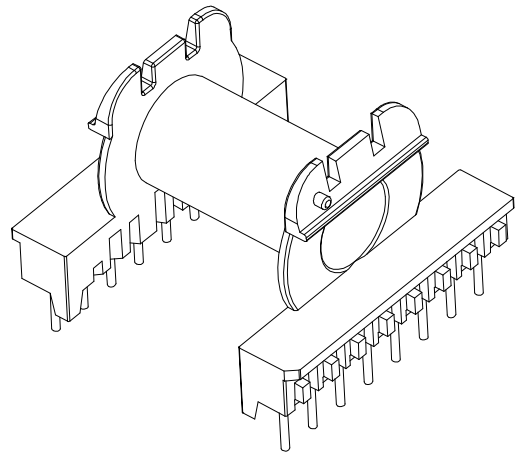
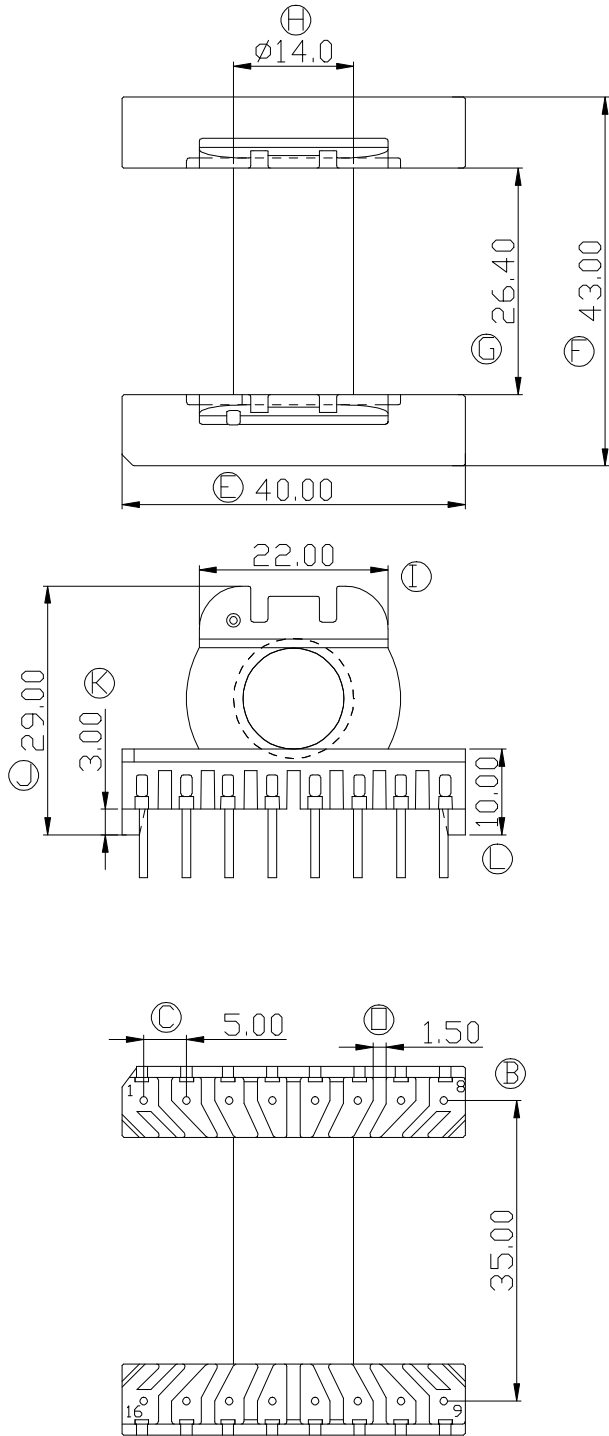



Build up your trust



TITLE:	BOBBIN EER-35H		TOLERANCES	BOBBIN MATERIAL:	UL REC.
DRAWING NO:	GS-3510-1		$0 < L \leq 4 \pm 0.1$ $4 < L \leq 16 \pm 0.2$ $16 < L \leq 63 \pm 0.3$	PM9820	UL 94V-0
 建信電子制品有限公司 GEMSTONE ELECTRONIC PRODUCTS CO., LTD.			UNIT: MM	SCALE: 1/1	ANGLE: $\pm 1^\circ$
			DATE: 2008/11/19		REV: A0
ADD: 廣東省東莞市石排鎮石崇大道			DRAWN: HZP	CHECK: XU ZHAN	APPROVED:
TEL: (0769) 86514918, 86514919 FAX: 86514878					

REV.	PORTION.	BEFORE REV.	AFTER REV.