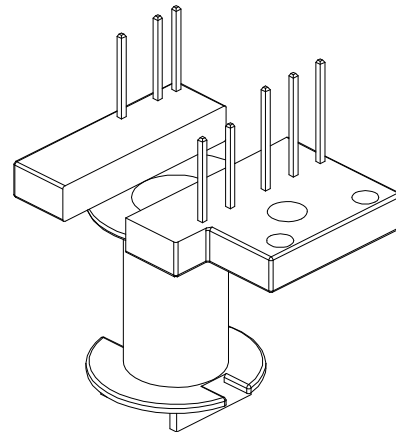
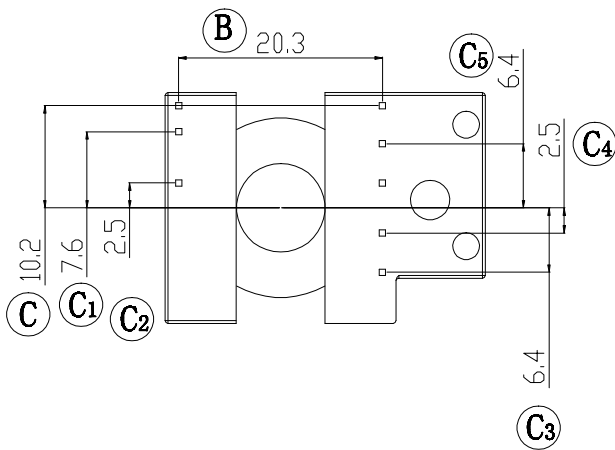
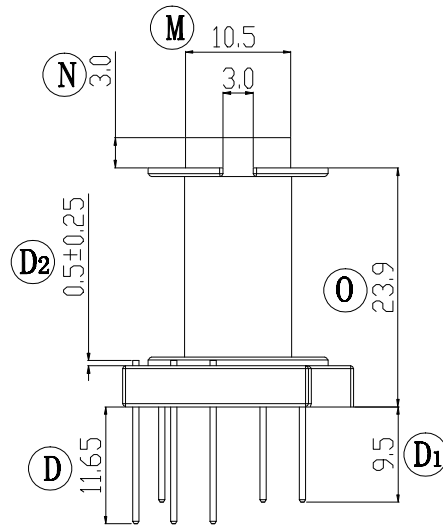
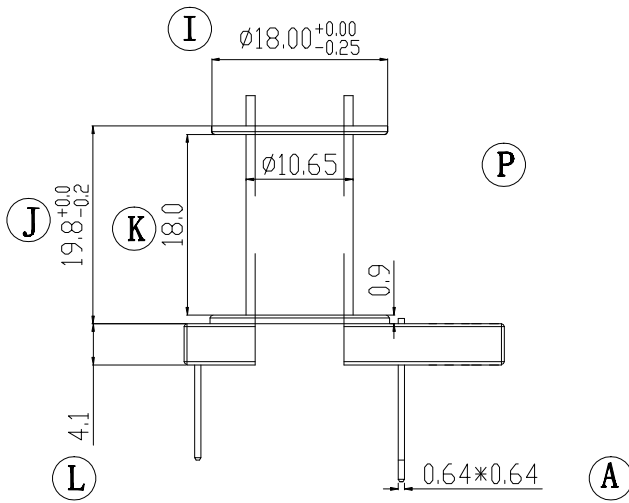
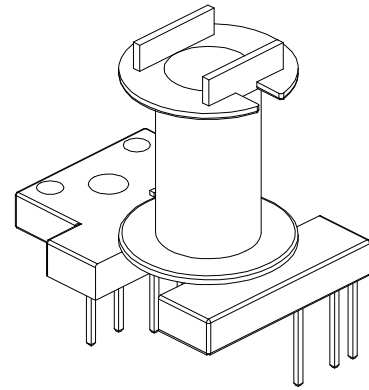
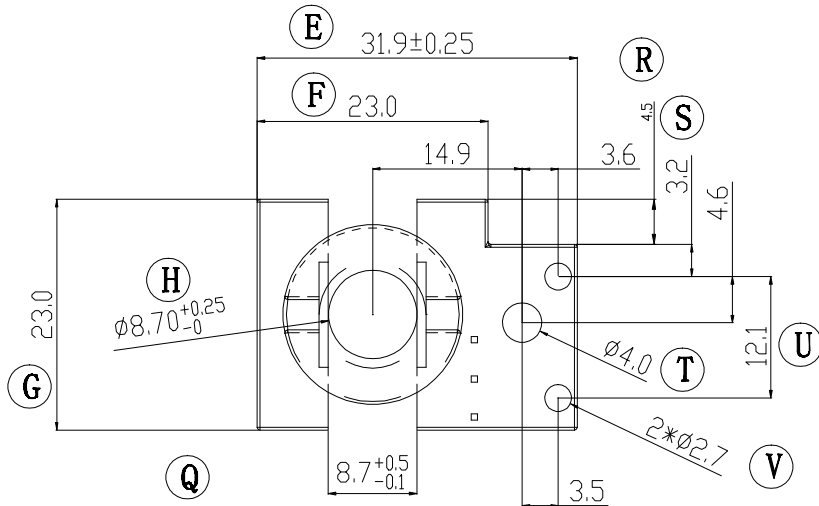



Build up your trust



TITLE: BOBBIN T7 EMA212		TOLERANCES		BOBBIN MATERIAL: PPS R4		UL REC UL 94V-0	
DRAWING NO: GS-3700		0<L ≤ ±0.1	PIN PITCH ±0.2	PIN MATERIAL: PHOSPHOR BRONZE		PIN TENSION LOAD 1.0KG MIN	
 <b>建信電子制品有限公司</b> GEMSTONE ELECTRONIC PRODUCTS CO., LTD. ADD: 廣東省東莞市石排鎮石崇大道 TEL: (0769)86514918, 86514919 FAX:86514878		4<L ≤ ±0.2		UNIT: MM	SCALE: 1/1	ANGLE: ±1°	DATE: 2013/09/03
		16<L ≤ ±0.3	DRAWN: Y. T. H		CHECK: XU ZHAN		APPROVED:

REV.	PORTION	BEFORE REV.	AFTER REV.
A1	更改 "Q" 尺寸公差	A0: "Q" 8.7±0.2	A1: "Q" 8.7±0.1