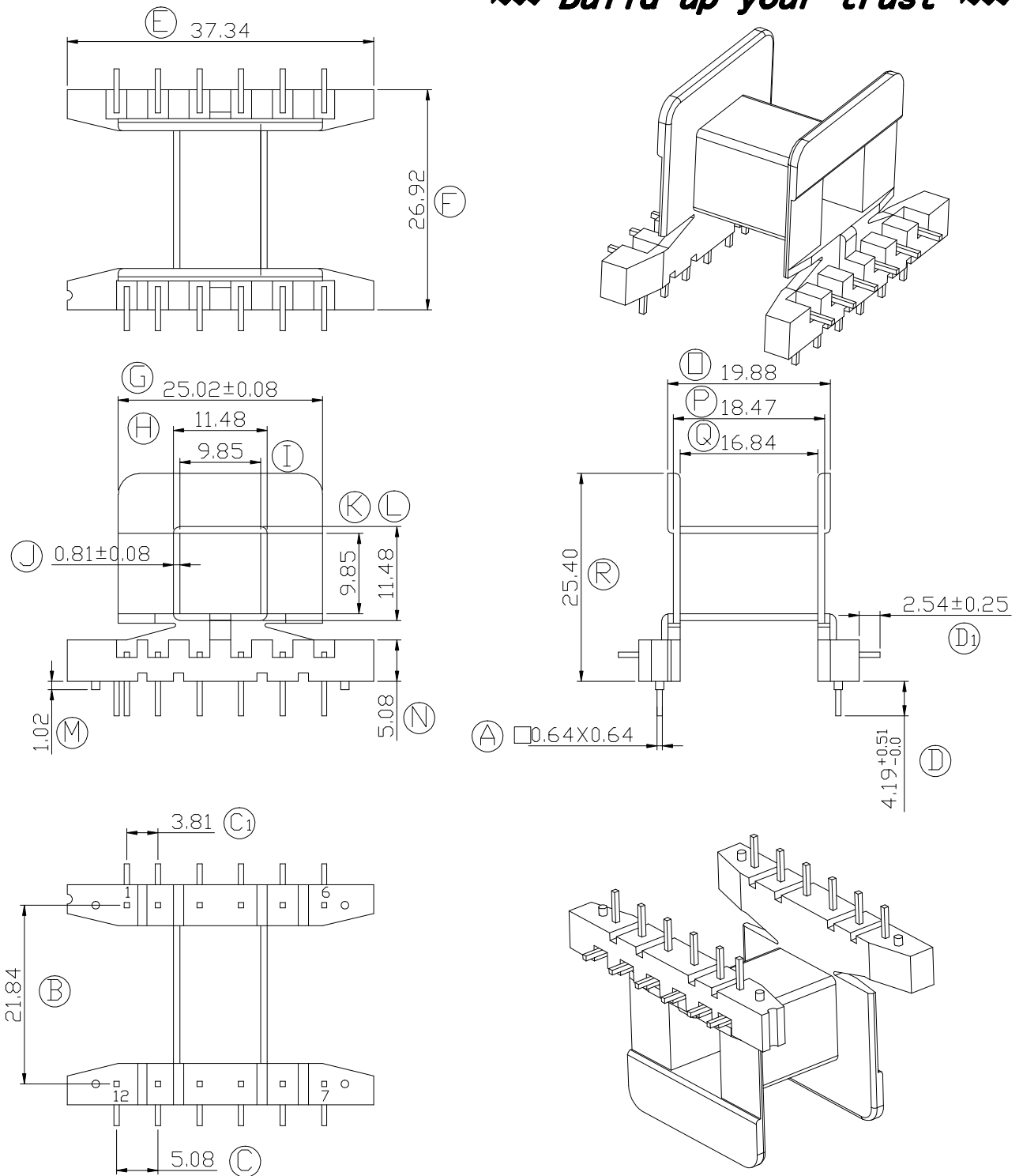



Build up your trust



TITLE:	BOBBIN EI37.5		TOLERANCES	BOBBIN MATERIAL:	UL REC.
DRAWING NO:	GS-3701 (071-0182-L1)		$0 < L \leq 4 \pm 0.1$ $4 < L \leq 16 \pm 0.2$ $16 < L \leq 63 \pm 0.3$	70G-33L	UL 94 HB
 <b>建信電子制品有限公司</b> GEMSTONE ELECTRONIC PRODUCTS CO., LTD. ADD: 廣東省東莞市石排鎮石崇大道 TEL: (0769) 86514918, 86514919 FAX: 86514878	UNIT:	SCALE:	ANGLE:	DATE:	REV:
	MM	2/1	$\pm 1^\circ$	2006/02/28	A0
	DRAWN:	CHECK:	APPROVED:		
	HZP	XU ZHAN			

REV.	PORTION.	BEFORE REV.	AFTER REV.