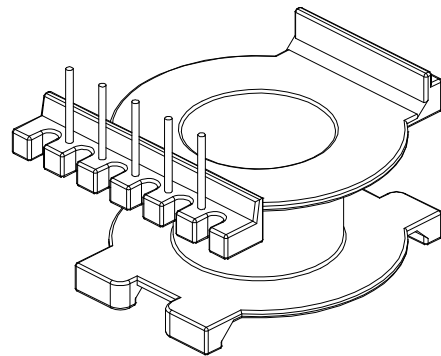
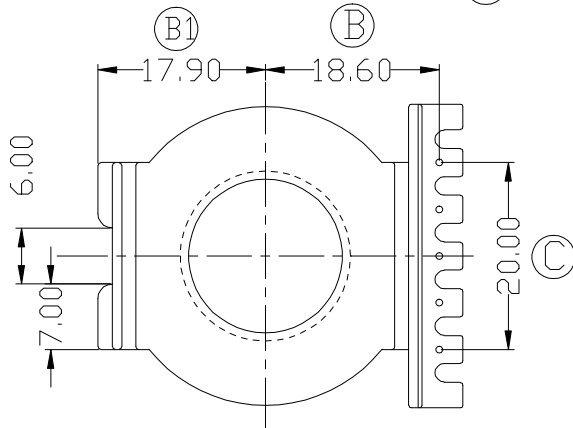
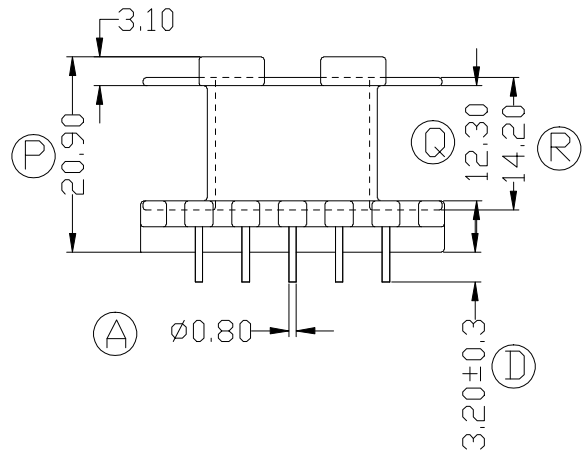
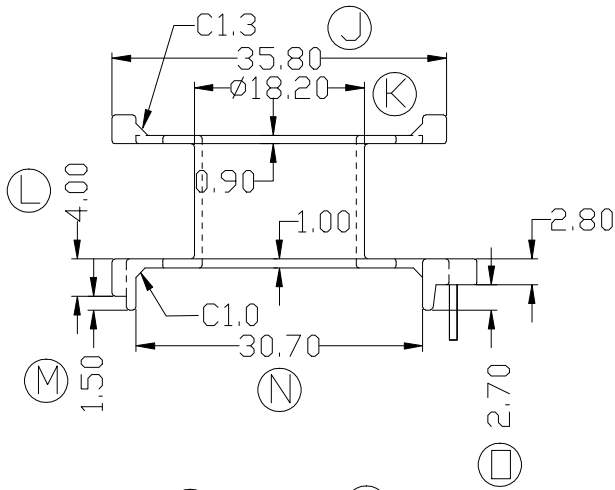
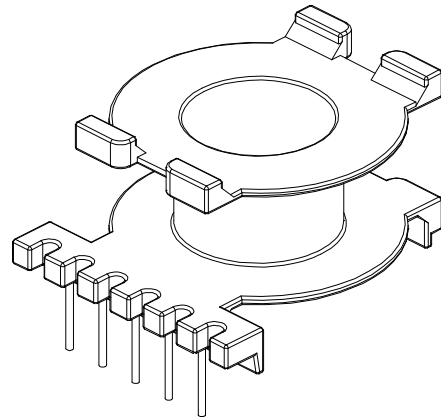
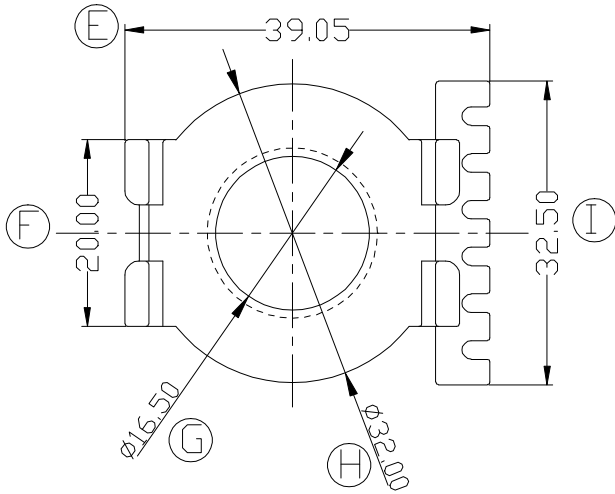



Build up your trust



TITLE: POT-40		TOLERANCES		BOBBIN MATERIAL: PM9820		UL REC. UL 94V-0	
DRAWING NO: GS-4003 (INTERNAL USE)		0 <= 4 ±0.1	PIN PITCH ±0.2	PIN MATERIAL: CP WIRE		PIN TENSION LOAD: 1.0KG MIN	
		4 <= 16 ±0.2					
		16 <= 63 ±0.3					
 建信電子制品有限公司 GEMSTONE ELECTRONIC PRODUCTS CO., LTD.		UNIT: MM	SCALE: 1/1	ANGLE: ±1°	DATE: 2008/10/18	REV: A3	
		DRAWN: XU ZHAN		CHECK: XU ZHAN		APPROVED:	
ADD: 廣東省東莞市石排鎮石崇大道		TEL: (0769) 86514918, 86514919		FAX: 86514878			

REV.	PORTION.	BEFORE REV.	AFTER REV.