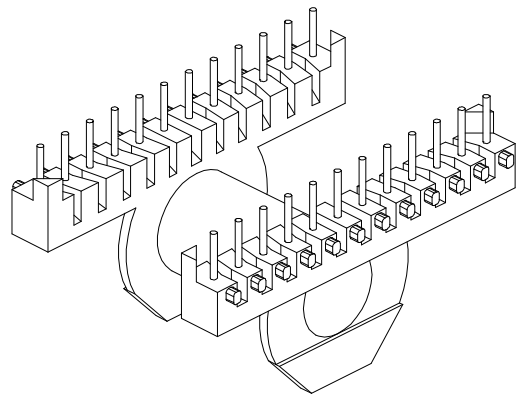
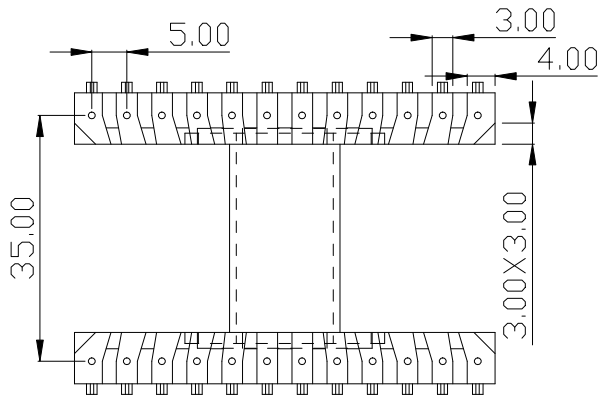
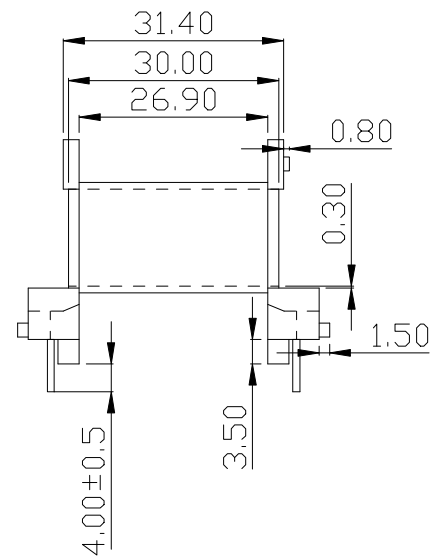
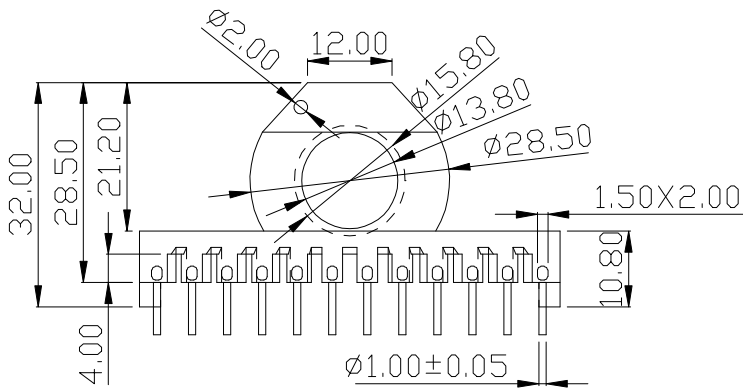
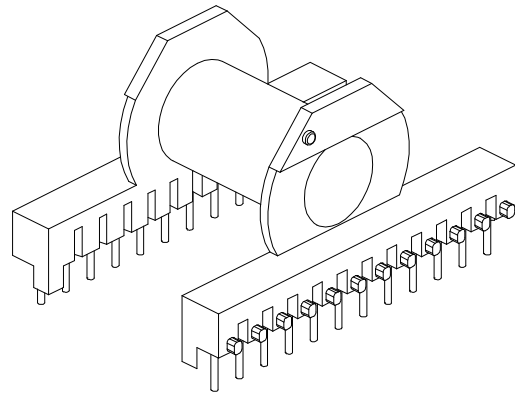
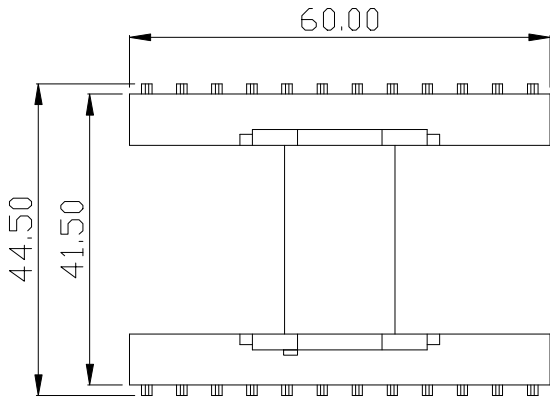


Build up your trust



TITLE: BOBBIN EER-40 24PIN

DRAWING NO: GS-4006

GEMSTONE 建信電子制品有限公司
GEMSTONE ELECTRONIC PRODUCTS CO., LTD.

ADD: 廣東省東莞市石排鎮石崇大道
TEL: (0769) 86514918, 86514919 FAX: 86514878

TOLERANCES

0 $L \le 4$ ±0.1
4 $L \le 16$ ±0.2
16 $L \le 63$ ±0.3

PIN PITCH
±0.2

BOBBIN MATERIAL:
PM9820

PIN MATERIAL:
CP WIRE

UL REC.

UL 94V-0

PIN TENSION LOAD:
1.5KG MIN

UNIT:
MM

SCALE:
2/1

ANGLE:
±1°

DATE:
2011/02/25

REV:
A0

DRAWN:
XU ZHAN

CHECK:
XU ZHAN

APPROVED:

REV.

PORTION.

BEFORE REV.

AFTER REV.