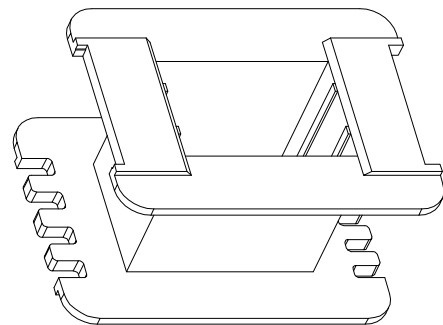
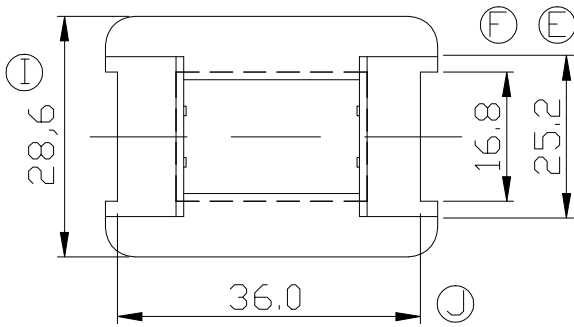
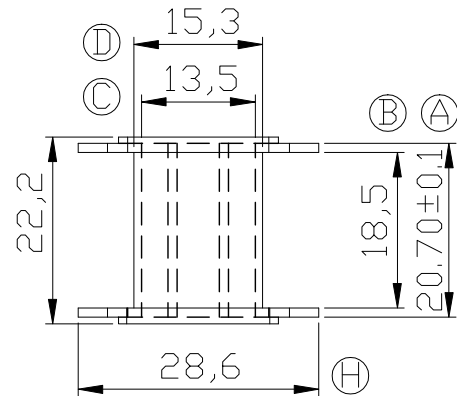
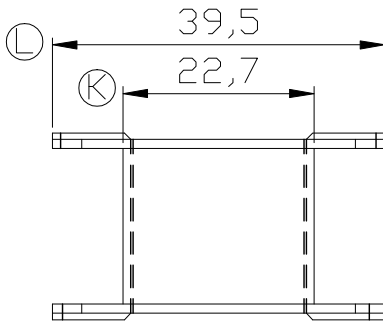
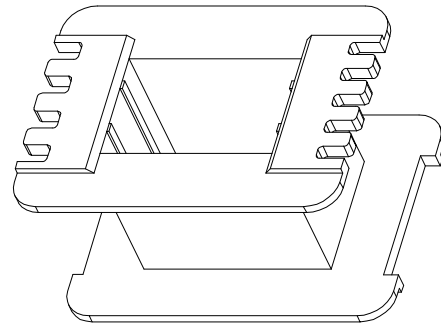
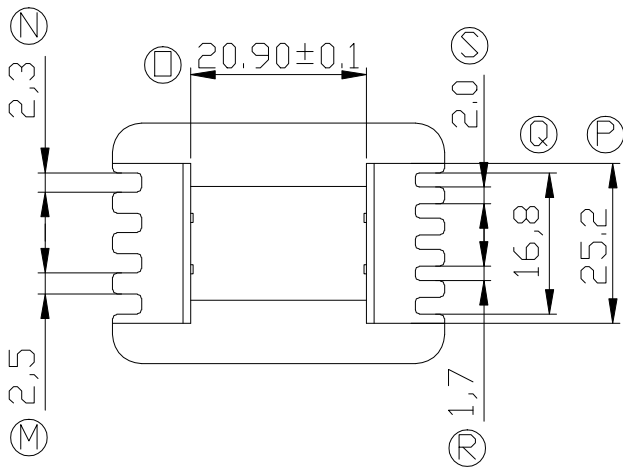



Build up your trust



TITLE:	EI-41	TOLERANCES		BOBBIN MATERIAL:	UL REC.
DRAWING NO:	GS-4101	0<L≤4 ±0.1	PIN PITCH ±0.2	PLASTIC CM3004	UL 94V-0
 <b>建信電子制品有限公司</b> GEMSTONE ELECTRONIC PRODUCTS CO., LTD. ADD: 廣東省東莞市石排鎮石崇大道 TEL: (0769) 86514918, 86514919 FAX: 86514878		4<L≤16 ±0.2		PIN MATERIAL:	PIN TENSION LOAD:
		16<L≤63 ±0.3		ANGLE:	REV:
		UNIT: MM	SCALE: 1.5/1	DATE: 2004/7/1	A1
		DRAWN: XU ZHAN		CHECK: DAVID	APPROVED:

REV.	PORTION.	BEFORE REV.	AFTER REV.