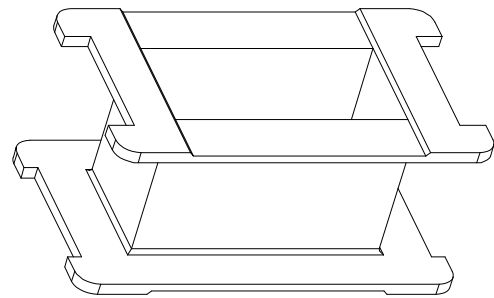
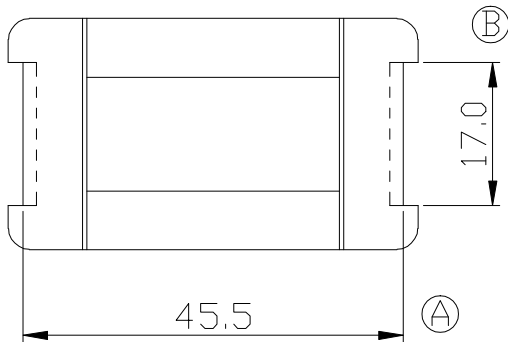
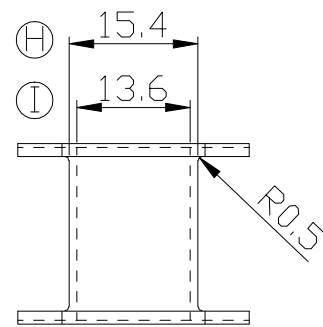
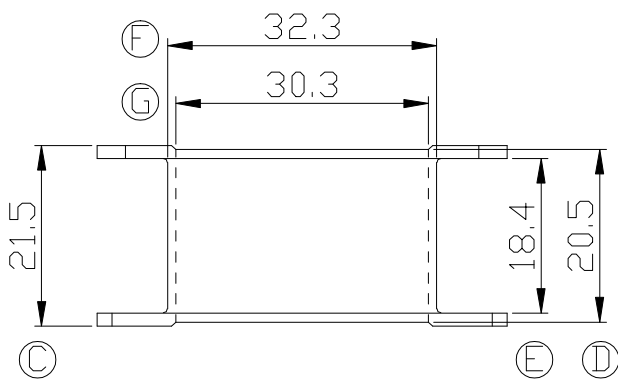
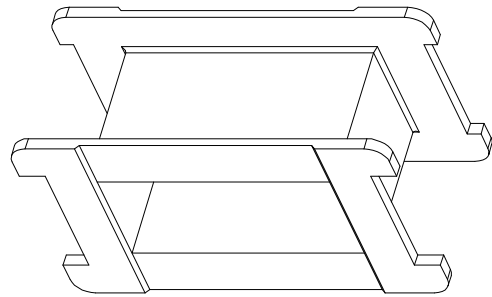
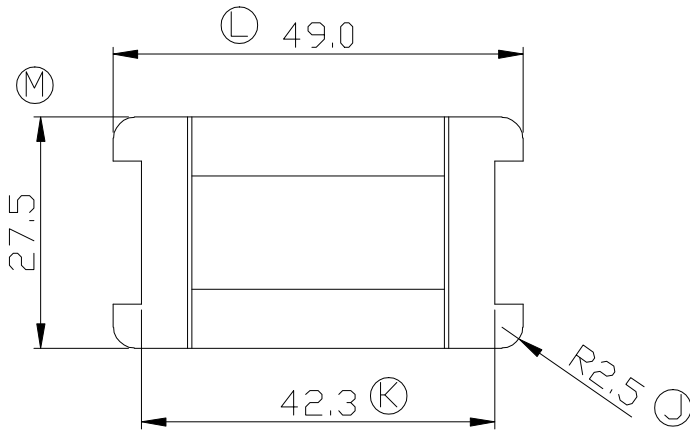



Build up your trust



TITLE:	EI-41	TOLERANCES		BOBBIN MATERIAL:	UL REC.	
DRAWING NO:	GS-4102	0<L≤4 ±0.1	PIN PITCH ±0.2	PLASTIC CM3004	UL 94V-0	
 建信電子制品有限公司 GEMSTONE ELECTRONIC PRODUCTS CO., LTD. ADD: 廣東省東莞市石排鎮石崇大道 TEL: (0769) 86514918, 86514919 FAX: 86514878		4<L≤16 ±0.2		PIN MATERIAL:	PIN TENSION LOAD:	
		16<L≤63 ±0.3		ANGLE:	DATE:	REV:
		UNIT:	SCALE:	±1°	2004/4/15	A0
		MM	1.5/1	CHECK:	APPROVED:	
		DRAWN:		DAVID		
		XU ZHAN				

REV.	PORTION.	BEFORE REV.	AFTER REV.