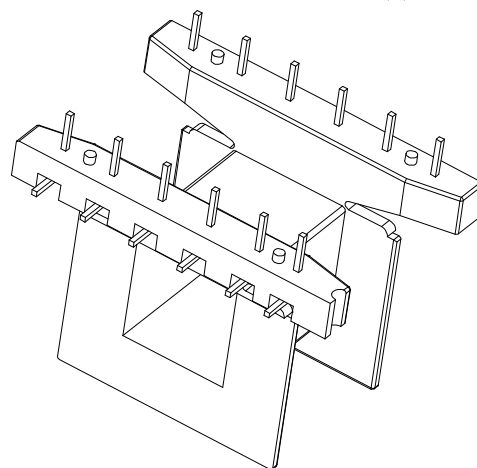
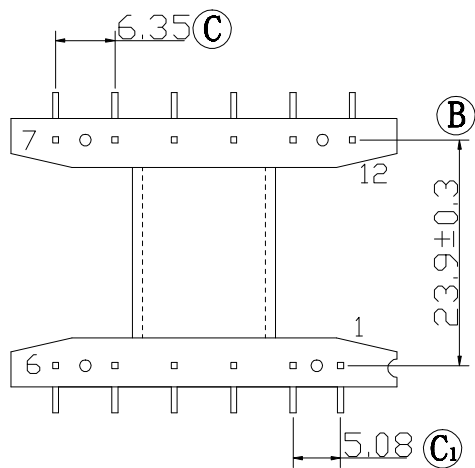
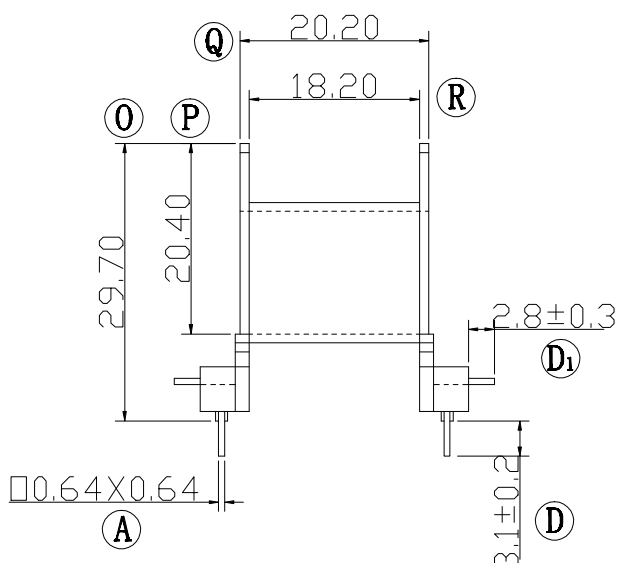
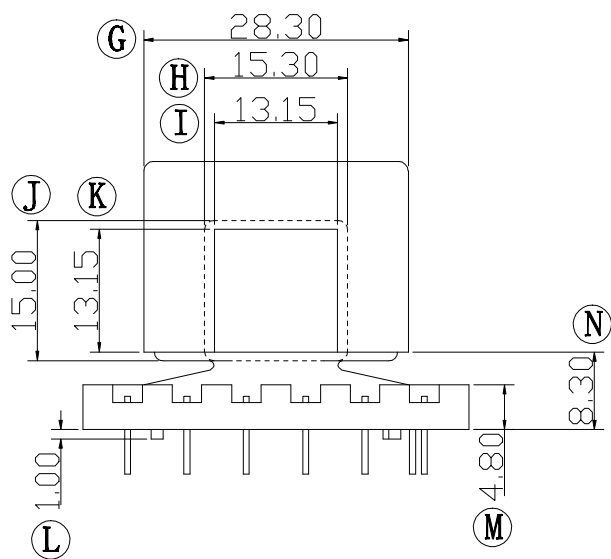
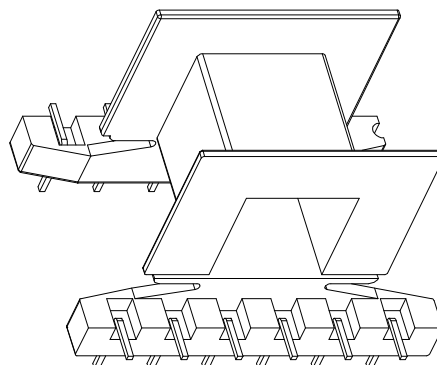
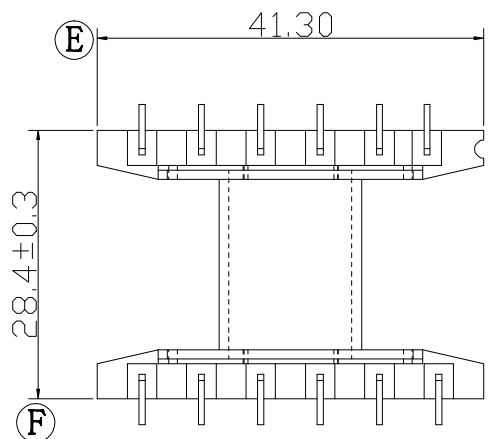



Build up your trust



TITLE:	BASE EEH4130 12PIN	TOLERANCES		BOBBIN MATERIAL:	UL REC.
DRAWING NO:	GS-4107	0 $L \le 4$ ±0.1	PIN PITCH ±0.2	PA66 6410G5 (NC)	UL 94V-0
		4 $L \le 16$ ±0.2		16 $L \le 63$ ±0.3	PIN MATERIAL:
				CP WIRE	1.2KG MIN
 建信電子制品有限公司 GEMSTONE ELECTRONIC PRODUCTS CO., LTD. ADD: 廣東省東莞市石排鎮石崇大道 TEL: (0769) 86514918, 86514919 FAX: 86514878		UNIT:	SCALE:	ANGLE:	DATE:
		MM	1/1	±1°	2011/04/29
		DRAWN:	CHECK:	REV:	APPROVED:
		XU ZHAN	XU ZHAN	A1	

REV.	PORTION.	BEFORE REV.	AFTER REV.