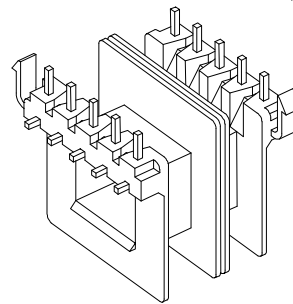
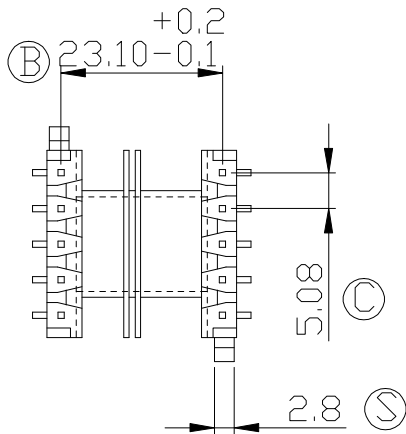
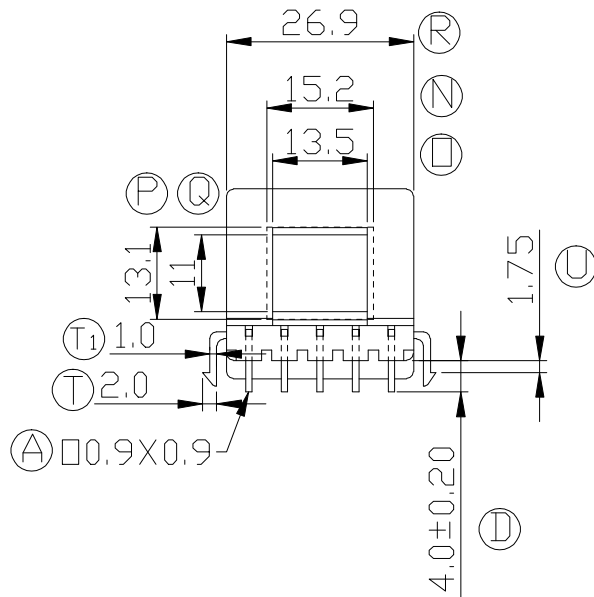
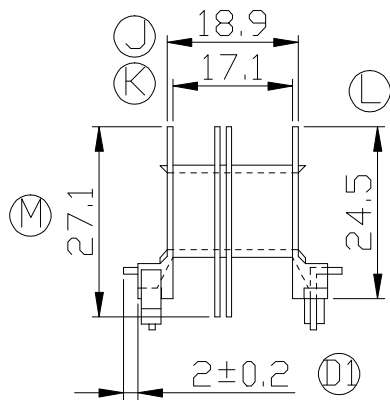
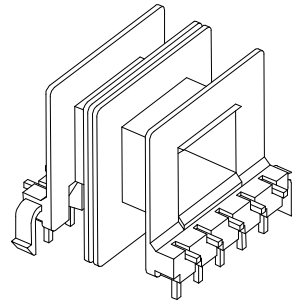
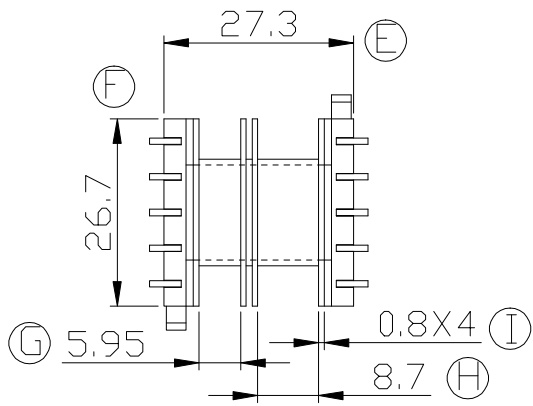


Build up your trust



TITLE: EI-41 BOBBIN 10PIN

DRAWING NO: GS-4108

GEMSTONE 建信電子制品有限公司
GEMSTONE ELECTRONIC PRODUCTS CO., LTD.

ADD: 廣東省東莞市石排鎮石崇大道
TEL: (0769) 86514918, 86514919 FAX: 86514878

TOLERANCES

0<L≤4 ±0.1
4<L≤16 ±0.2
16<L≤63 ±0.3

PIN PITCH
±0.2

BOBBIN MATERIAL:

HTN51G35HSL

UL REC.

UL HB

PIN MATERIAL:

CP WIRE

PIN TENSION LOAD:

1.5KG MIN

UNIT:
MM

SCALE:
1/1

ANGLE:
±1°

DATE:
2006/07/07

REV:
A3

DRAWN:
HZP

CHECK:
XU ZHAN

APPROVED:

REV.

PORTION.

BEFORE REV.

AFTER REV.