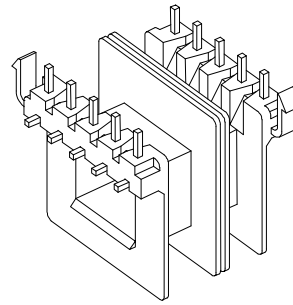
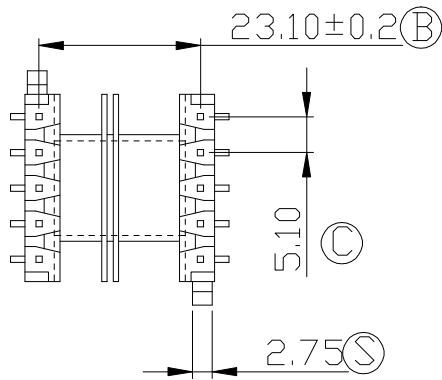
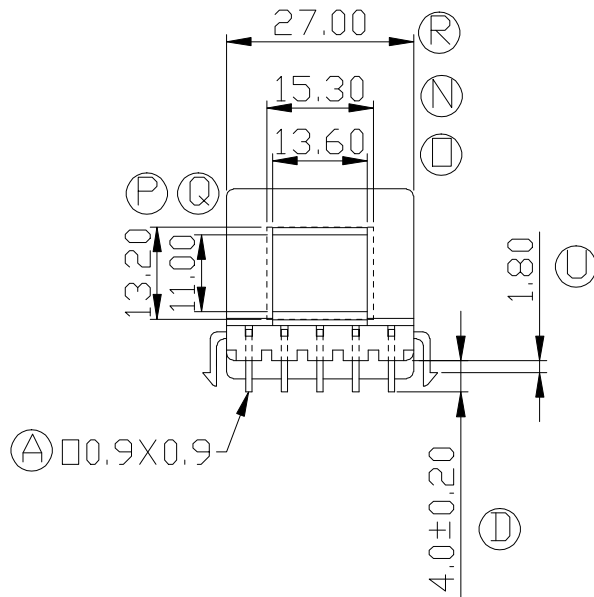
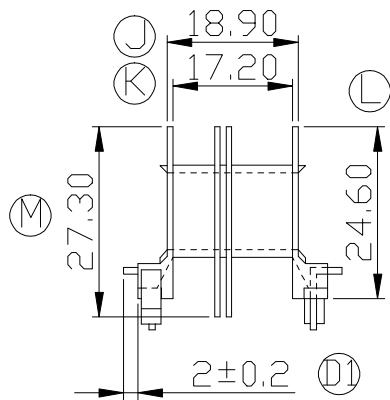
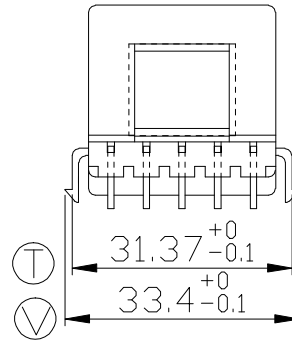
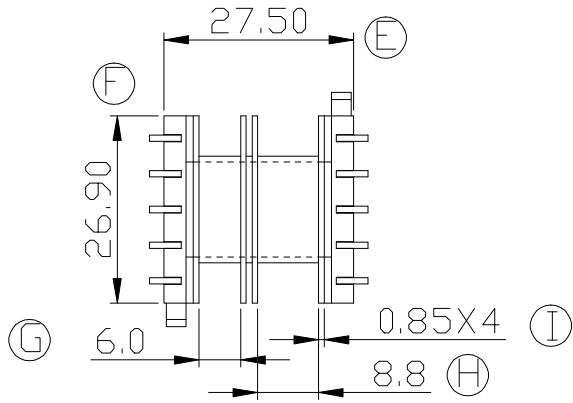


Build up your trust



TITLE: EI-41 BOBBIN 10PIN

DRAWING NO: GS-4108-1

GEMSTONE 建信電子制品有限公司
GEMSTONE ELECTRONIC PRODUCTS CO., LTD.

ADD: 廣東省東莞市石排鎮石崇大道
TEL: (0769) 86514918, 86514919 FAX: 86514878

TOLERANCES

| | | |
|---------|------|-------------------|
| 0<L≤4 | ±0.1 | PIN PITCH ±0.2 |
| 4<L≤16 | ±0.2 | |
| 16<L≤63 | ±0.3 | |

UNIT: MM

SCALE: 1/1

DRAWN: XU ZHAN

BOBBIN MATERIAL: HTN51G35HSL

PIN MATERIAL: CP WIRE

ANGLE: ±1°

DATE: 2008/10/06

CHECK: XU ZHAN

UL REC. UL HB

PIN TENSION LOAD: 1.5KG MIN

REV: A1

APPROVED:

REV.

PORTION.

BEFORE REV.

AFTER REV.