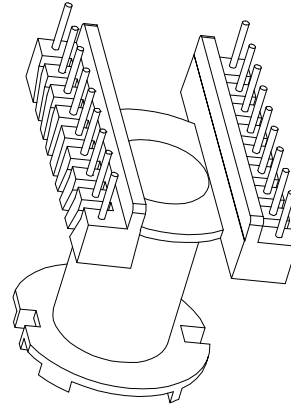
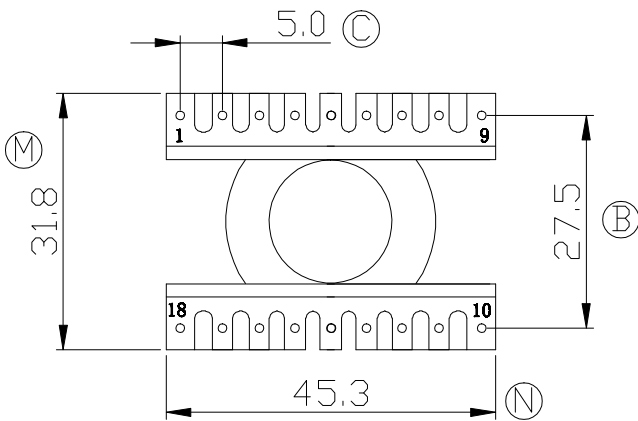
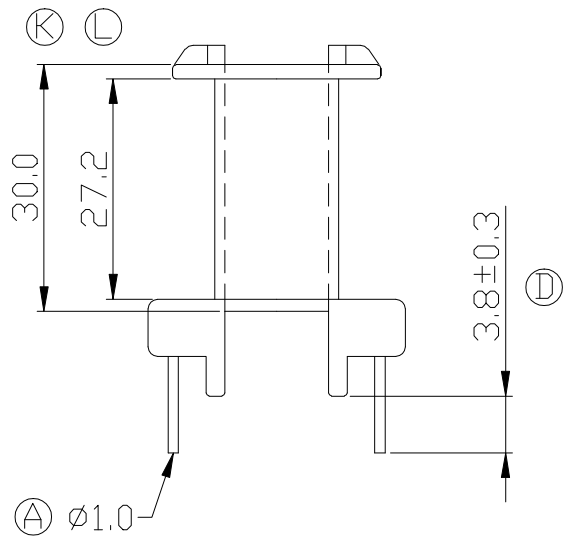
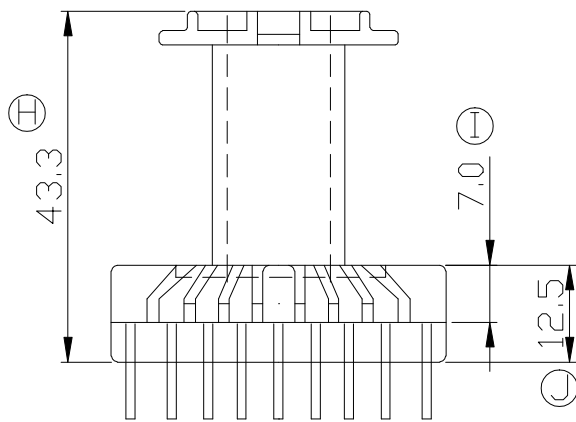
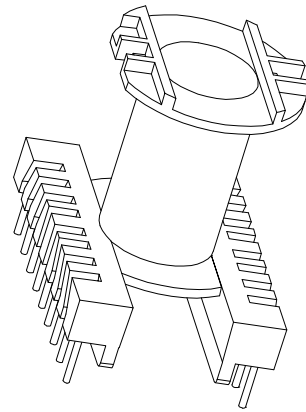
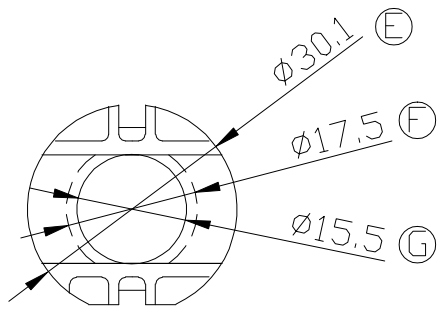



Build up your trust



| | | | | | |
|--|--------------|-------------------|-------------------------------------|--------------------------------|------------|
| TITLE: BOBBIN ER-42*15 (18PIN) | TOLERANCES | | BOBBIN MATERIAL: PHENOLIC T375HF | UL REC. UL 94V-0 | |
| | 0<L≤4 ±0.1 | PIN PITCH ±0.2 | PIN MATERIAL: CP WIRE | PIN TENSION LOAD: 2.0KG MIN | |
| 4<L≤16 ±0.2 | UNIT: MM | | | | SCALE: 1/1 |
| DRAWING NO: GS-4201 | 16<L≤63 ±0.3 | | DRAWN: XU ZHAN | CHECK: DAVID | APPROVED: |
|  建信電子制品有限公司 GEMSTONE ELECTRONIC PRODUCTS CO., LTD. | | | | | |
| ADD: 廣東省東莞市石排鎮石崇大道 TEL: (0769) 86514918, 86514919 FAX: 86514878 | | | | | |

| REV. | PORTION. | BEFORE REV. | AFTER REV. |
|------|----------|-------------|------------|
| | | | |
| | | | |
| | | | |