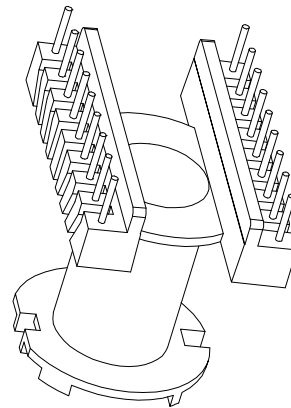
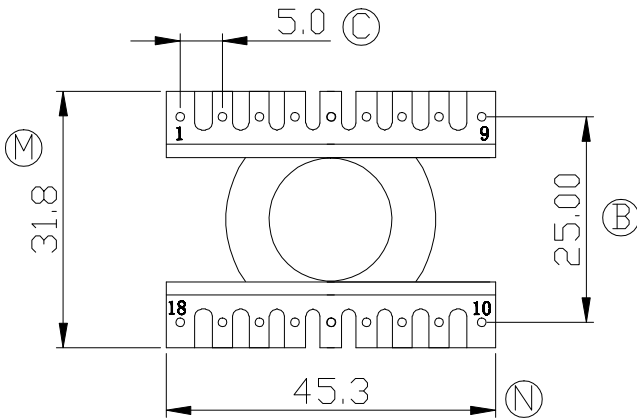
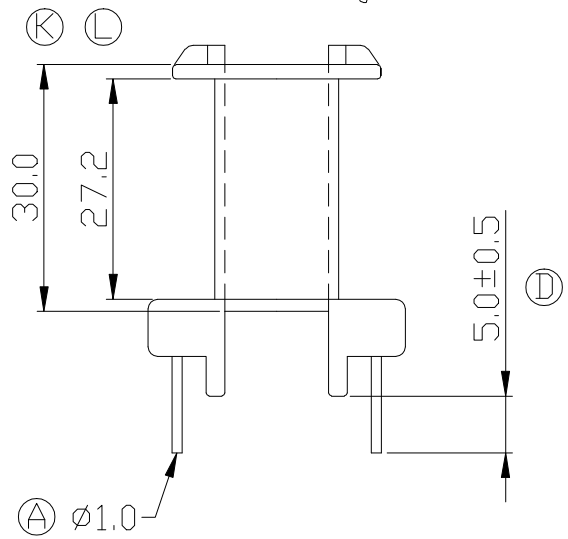
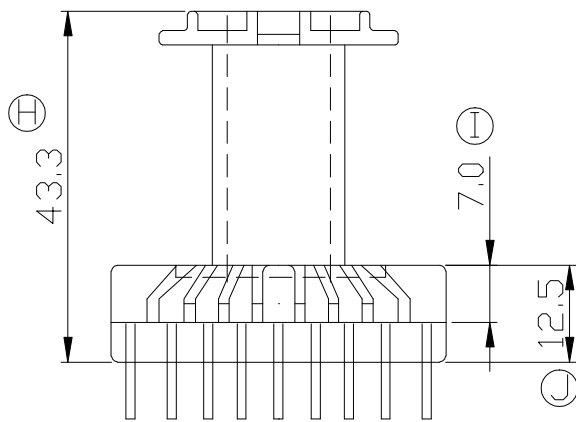
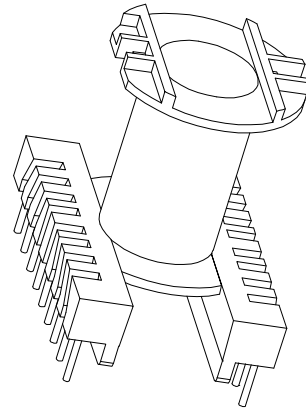
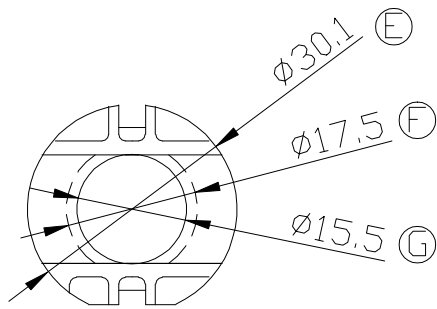



Build up your trust



TITLE: <b>BOBBIN ER-42*15(18PIN)</b>	TOLERANCES		BOBBIN MATERIAL: PHENOLIC T375HF	UL REC. UL 94V-0	
	0<L≤4 ±0.1	PIN PITCH ±0.2	PIN MATERIAL: CP WIRE	PIN TENSION LOAD: 2.0KG MIN	
4<L≤16 ±0.2	UNIT: MM				SCALE: 1/1
DRAWING NO: <b>GS-4201-1</b>	16<L≤63 ±0.3		DRAWN: XU ZHAN	CHECK: DAVID	APPROVED:
 <b>建信電子制品有限公司</b> GEMSTONE ELECTRONIC PRODUCTS CO., LTD.					
ADD: 廣東省東莞市石排鎮石崇大道 TEL: (0769) 86514918, 86514919 FAX: 86514878					

REV.	PORTION.	BEFORE REV.	AFTER REV.