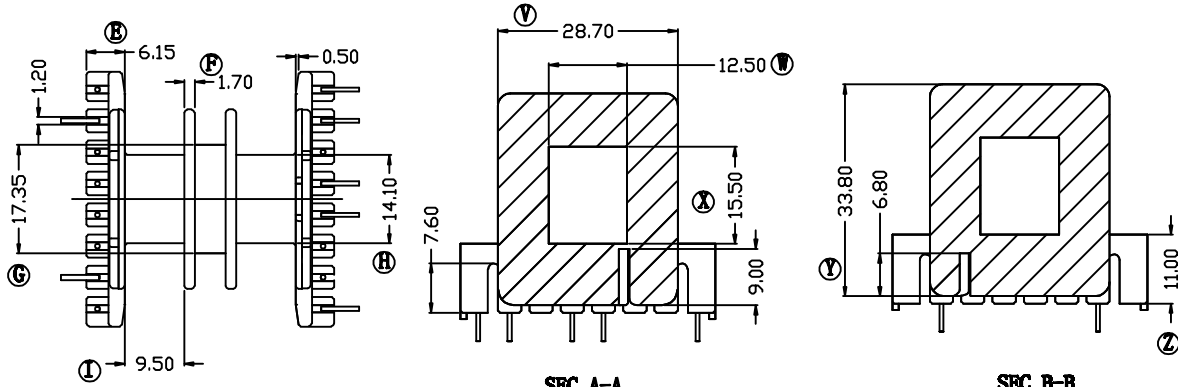
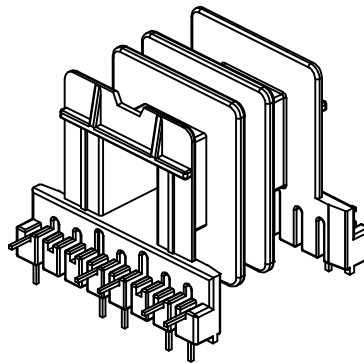
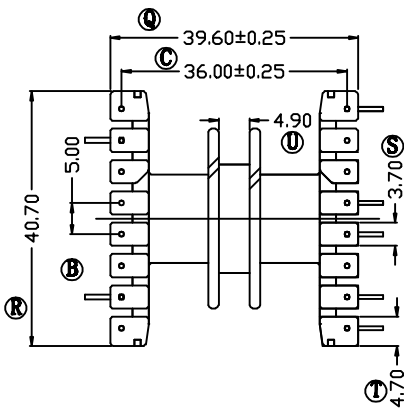
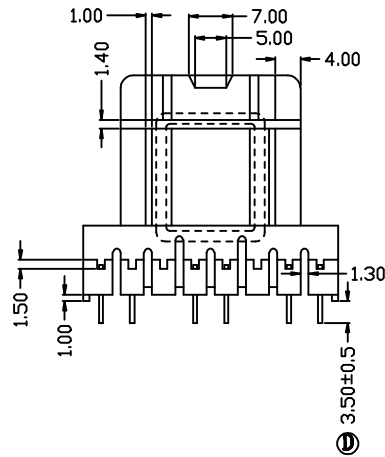
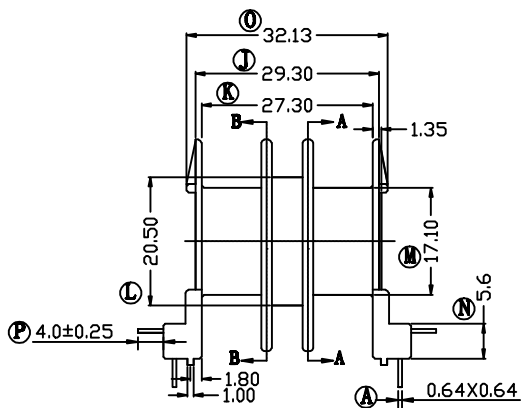



Build up your trust



SBC A-A

SBC B-B



TITLE: BOBBIN EE42		TOLERANCES		BOBBIN MATERIAL: PM9630		UL REC: UL 94V-0	
DRAWING NO: GS-4202		± 0.13		PIN MATERIAL: PHOSPHOR BRONZE		PIN TENSION LOAD: 1.5Kg MIN	
 建信電子制品有限公司 GEMSTONE ELECTRONIC PRODUCTS CO., LTD. ADD: 廣東省東莞市石排鎮石崇大道 TEL: (0769)86514918, 86514919 FAX:86514878		UNIT: MM		SCALE: 1/1		DATE: 2009/5/27	
		DRAWN: XU ZHAN		CHECK: XU ZHAN		REV: A1	
		DRAWN: XU ZHAN		CHECK: XU ZHAN		APPROVED:	

BEFORE REV.

AFTER REV.